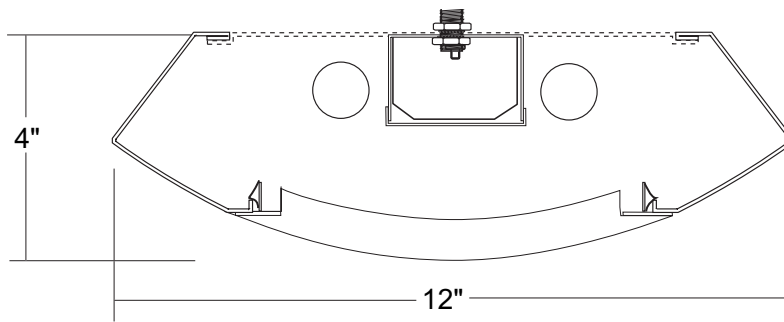


STEEL SHAPES
DIRECT / INDIRECT

SERIES S124-DI



Options:

Mounting Options:

- AC** - Adjustable aircraft cable (48" Standard)
- P** - Pendant mounting (24" Standard)
- SP** - Swivel pendant, 45° limit
- S** - Surface mount

Lamp Options:

- BX** - Biax
- OCT** - T8 octron
- T5** - 5/8" diameter
- T5HO** - 5/8" diameter (High output)
- RS** - T12 rapid start

Diffuser Options:

- RB** - Radial baffle

Color Options:

- WHT** - White (Standard)
- CA** - Custom colors

Electrical Options:

- UNV** - Universal voltage
- 120** - 120 volt operation
- 277** - 277 volt operation
- 2CIR** - 2 circuit wiring
- DIM** - Dimming ballast
- EM** - Emergency ballast
- GLR** - In line fusing

The PMC S124 is the steel version of a popular extruded pattern. Radial baffles extend the lines of the curved housing to create a smooth look with a powerful light output. 88.1 % efficiency makes this a great fixture for schools and public buildings. All fixtures have powder coated housings, with precision-formed, high reflectance, enamel reflectors for optimal efficiency.

Fixtures are UL listed, and have **standard electronic ballasts**. Each fixture is lamp-tested at the factory before shipment.

ORDERING INFORMATION

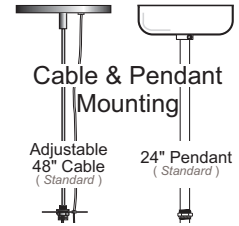
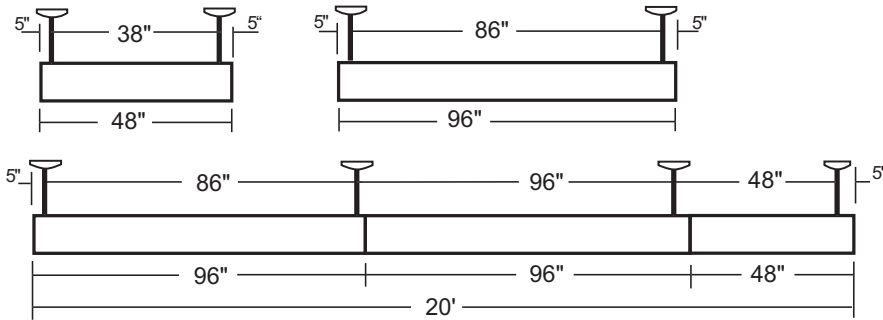
	S124-	DI-	AC-	2/OCT-	4-	RB-	WHT-	UNV
SERIES NUMBER	DI	AC	2	BX	2	RB		UNV
LIGHT OUTPUT		P	3	OCT	3			120
		SP		T5	4			277
		S		T5HO	6			2CIR
MOUNTING				RS	8			DIM
NUMBER OF LAMPS								EM
LAMP TYPE							WHT	GLR
							Standard	
LENGTH							CA	
DIFFUSER							Custom	
COLOR							Color	
OPTIONS								



PMC LIGHTING
INCORPORATED

SERIES S124-DI

PENDANT AND CABLE MOUNTING LOCATIONS

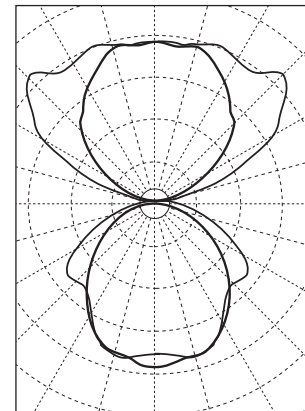


PHOTOMETRY No.: S124-DI-P-2/OCT-4-RWB-WHT-120-EB

3 Lamps•2850 Lumens•Radial Baffle

Coefficients of Utilization

RCR	80%			70%			50%		
	70	50	30	70	50	30	50	30	10
1	.85	.81	.78	.78	.75	.72	.62	.60	.58
2	.78	.72	.66	.71	.66	.61	.55	.51	.49
3	.71	.63	.57	.65	.58	.53	.48	.45	.41
4	.65	.56	.49	.59	.51	.46	.43	.39	.35
5	.60	.50	.43	.54	.46	.40	.38	.34	.30
6	.55	.44	.37	.50	.41	.35	.34	.30	.26
7	.51	.40	.33	.46	.37	.31	.31	.26	.23
8	.47	.36	.29	.43	.33	.27	.28	.23	.20
9	.43	.33	.26	.39	.30	.24	.25	.21	.17
10	.40	.30	.23	.37	.27	.22	.23	.19	.15



CANDELLA DISTRIBUTION

SPECIFICATIONS

CONSTRUCTION: Fixture Chassis is die-formed, and welded of 20 gauge, cold rolled steel. Downlight perforated steel is 20 gauge, perforated as specified. Internal construction of 20 gauge, die formed CRS.

DIFFUSER: The standard diffuser is a radiused cross baffle. 1" deep. 1" o.c. **(RB)**.

MOUNTING: Standard Pendant **(P)** stem is 1/4 IPS, 24" long with 5" dia. canopy to cover 4" junction box. Swivel Pendant with 45° Limit **(SP)**. Adjustable length Aircraft Cable **(AC)** assembly has 48" cable, 5" dia. canopy with cord for power locations.

FINISH: Standard fixtures are polyester powder-coated MatteWhite. Reflective internal components are finished in high gloss white enamel (Minimum Reflectance Factor 90%).

ELECTRICAL: All fixtures are UL listed, and are shipped fully wired, individually tested, with Electronic Ballasts.

OPTIONS:

DIFFUSER: Perforated white steel radiused cross baffle. 1" deep. 1" o.c. **(RB)**.

FINISH: A range of custom colors are available to meet Architect specifications. Please consult the factory.

ELECTRICAL: 277 Volt Ballast **(277)**. Dimming Ballast **(DIM)**. Emergency Ballast **(EM)**. Note: unless specified, PMC will select ballasts to meet requirements. In Line Fusing **(GLR)**. Two Circuit Wiring **(2CIR)**.

All dimensions are subject to change. Consult the factory before making structural alterations.



PMC LIGHTING
INCORPORATED