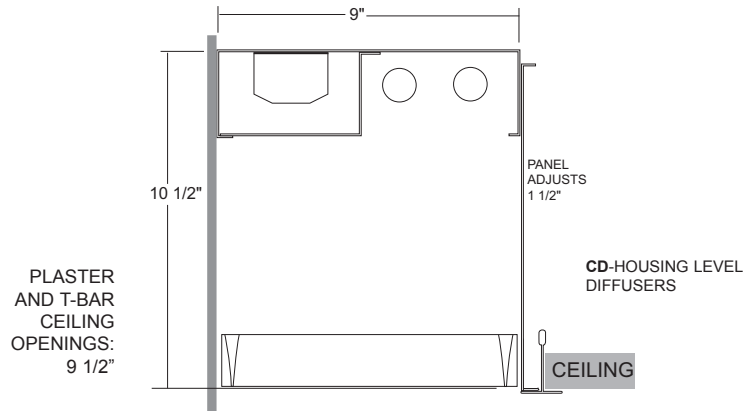


TYPE:

SERIES SPWW

PERIMETER



9.00" x 10.50"

OPTIONS:

Reflector / Diffuser Specification:

- CD - Ceiling-level diffuser
- FD - Diffuser in fixture
- OP - Open / no reflector or diffuser
- RD - Parabolic louver with specular

Mounting Options: (Recessed)

- FL - Flanged for plaster or dry wall ceilings (Mounting yokes supplied)
- T - Standard T-grid ceiling (T clips supplied)

Lamp Options:

- T5 - 5/8" diameter lamp
- T5HO - 5/8" diameter lamp (High output)
- T8 - 1" diameter lamp

Diffuser Options:

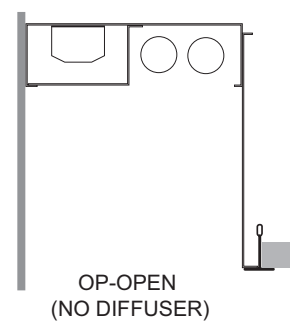
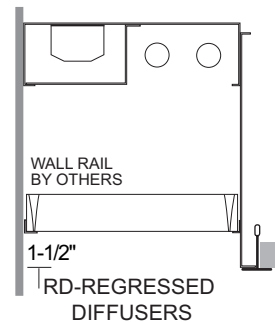
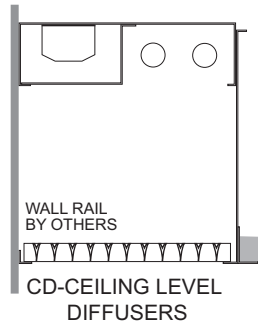
- P12 - Prismatic lens (Standard)
- PBL - Semi-specular parabolic louver (Blades 1 1/2" deep, 1 1/2" O.C.)
- PL1 - 1/2" sq. silver finish parabolic cube
- PL2 - 3/4" sq. silver finish parabolic cube
- PL3 - 1 1/2" sq. silver finish parabolic cube
- WB - White steel cross baffle (Blades 3/4" deep, 3/4" O.C.)
- WOA - White opal acrylic lens

Color Options:

- WHT - White (Standard)
- CA - Custom colors

Electrical Options:

- UNV - Universal voltage 120/277
- 277V - 277 volt operation
- 347V - 347 volt operation
- 2CIR - 2 circuit wiring
- DIM - Dimming ballast (Consult factory)
- EM - Emergency ballast
- GLR - In line fusing



The SPWW series is a flexible perimeter system with a hidden light source that creates the appearance of a floating ceiling whether used with T-Bar or plaster-type construction. All SPWW series fixtures have gloss white housings, bracketry and trim, with precision-formed, reflectors (when specified)

Fixtures are UL/cUL listed, and have **standard electronic ballasts**. Each fixture is lamp-tested at the factory before shipment.

ORDERING INFORMATION

Series	Output	Mounting	Lamp / Type	Length	Diffuser	Color	Voltage	Options
SPWW								
SPWW Perimeter	CD FD OP RD	FL Flange T T-Grid	1 2 5/8" Diameter T5HO 5/8" Diameter (High Output) T8 1" Diameter	2' 3' 4' 5' 6' 7' 8'	P12 (Standard) PBL PL1 PL2 PL3 WB WOA	WHT White (Standard) CA Custom Color	UNV Universal Voltage 277V 277 Volt Operation 347V 347 Volt Operation	2CIR 2 Circuit Wiring DIM Dimming Ballast EM Emergency Ballast GLR In Line Fusing



SERIES SPWW

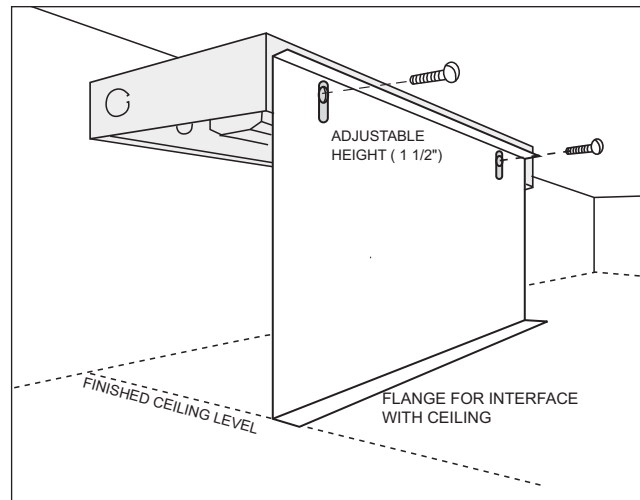
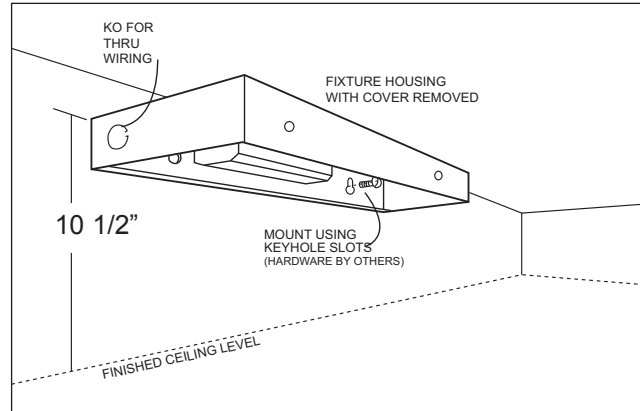
PLASTER AND T-BAR CEILING
OPENINGS: 9 1/2"

FIXTURE INSTALLATION

1. Using the holes in the housing provided, mount the SPWW chassis to the wall, so that the top of the chassis is 10 1/2" above the level of the finished ceiling.

(Make certain that the finish of the wall extends at least 10" above the ceiling level)

2. Mount the adjustable ceiling interface panel to the side of the housing, using the hardware provided. Adjust the panel (up to 1 1/2") so that the lip at the bottom is at the ceiling level, or trims the ceiling (plaster-type ceilings)



Please Note:

- All fixtures must be Supported by The Structural Ceiling. (Tools by others)
- All fixtures must be installed prior to sheet rock ceiling.

SPECIFICATIONS

CONSTRUCTION: Fixture Chassis die-formed of 20 gauge (or heavier) CRS. wall interface reflectors (adjustable up to 1 1/2" to accommodate varying ceiling levels) formed of 20 gauge CRS.

DIFFUSER: The standard diffuser (Where used) is an prismatic lens pattern #12..

MOUNTING: Standard T-Bar Ceiling (**T**). Flanged fixtures for Plaster Ceilings (**FL**). Note: fixtures must be supported by structural ceiling.

FINISH: Standard fixture trim is gloss white (**WHT**) Reflective internal steel components are finished in high gloss white enamel (Minimum Reflectance Factor 90%).

ELECTRICAL: All fixtures are UL

listed, and are shipped fully wired, individually tested, with Electronic Ballasts shipped as standard equipment

OPTIONS:

DIFFUSERS: Semi-specular aluminum parabolic louver (**PBL**) with blades 1 1/2" deep, 1 1/2" o.c. White steel cross baffle (**WB**) with 3/4" blades 3/4" o.c. Silver finish parabolic cube 1/2"sq. (**PL1**). 3/4" parabolic cube (**PL2**). 1 1/2" parabolic cube (**PL3**). White opal acrylic lens (**WOA**).

FINISH: A range of custom colors are available to meet Architect specifications. Please consult the factory.

ELECTRICAL: 277 Volt Ballast (**277**). Dimming Ballast (**DIM**). Emergency Ballast (**EM**) Note: unless specified, PMC will select ballasts to meet requirements. I

n Line Fusing (**GLR**).
2 Circuit Wiring (**2CIR**).

All dimensions are subject to change, Consult the factory before making structural alterations.

