

DIRECT / INDIRECT  
DIRECT, INDIRECT  
EXTRUDED SQUARES

# SERIES ES255

**TYPE:**

**Options:**

**Mounting Options:**

- AC** - Adjustable aircraft cable (48" standard)
- P** - Pendant mounting (24" standard)
- SP** - Swivel pendant, 45° limit
- S** - Surface mounting
- W** - Wall mounting (ADA Compliant)
- FL** - Flanged for plaster or dry wall ceilings
- FL(TRM)** - Trimless flange for plaster or dry wall ceilings.
- T** - Standard T-grid ceiling (*T clips supplied*)

**Lamp Options:**

- T5** - 5/8" diameter lamp
- T5HO** - 5/8" diameter lamp (*High output*)

**Diffuser Options:**

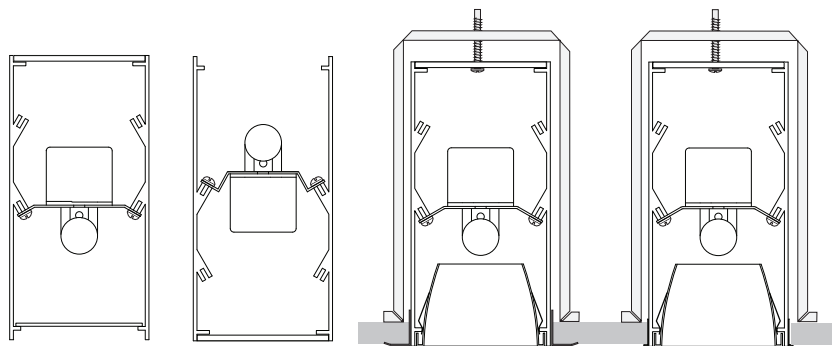
- P12** - Prismatic lens (*Standard*)
- DC** - Acrylic dust cover
- PBL** - Semi-specular parabolic louver  
(*Blades 1 1/4" deep, 1 1/2" O.C.*)
- WB** - White steel cross baffle  
(*Blades 3/4" deep, 3/4" O.C.*)
- WOA** - White opal acrylic lens

**Color Options:**

- WHT** - White (*Standard*)
- CA** - Custom colors

**Electrical Options:**

- UNV** - Universal voltage
- 277V** - 277 volt operation
- 347V** - 347 volt operation
- 2CIR** - 2 circuit wiring
- DIM** - Dimming ballast (*Consult factory*)
- EM** - Emergency ballast
- GLR** - In line fusing



**FL**  
Flange

**FL(TRM)**  
Trimless Flange

The PMC ES255 Squares can be modified with a full range of diffusers and light sources, making it a fixture to consider for new installations and retro-fit applications. All fixtures have powder coated housings, with precision formed, high reflectance (MRF 90%), reflectors for optimal efficiency.

Fixtures are UL listed, and have *standard electronic ballasts*. Each fixture is lamp-tested at the factory before shipment.

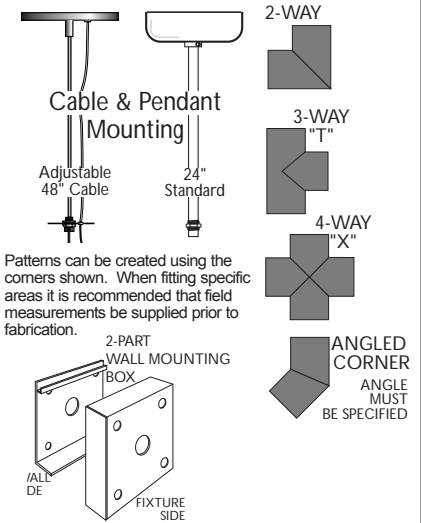
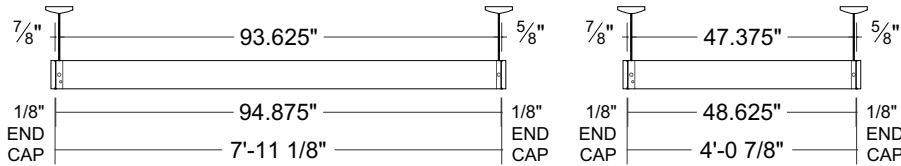
## ORDERING INFORMATION

	ES255 - DI-	AC-	1/T5HO-	__-	P12-	WHT-	UNV
<b>SERIES NUMBER</b>	DI D	AC P SP	T5 T5HO	2 3	P12 Standard	WHT Standard	UNV 277V 347V
<b>LIGHT OUTPUT</b>		W FL T		4 6 8	DC PBL WB WOA	CA Custom Color	2CIR DIM EM GLR
<b>MOUNTING</b>		FL(TRM)					
<b>NUMBER OF LAMPS</b>							
<b>LAMP TYPE</b>							
<b>LENGTH</b>							
<b>DIFFUSER</b>							
<b>COLOR</b>							
<b>OPTIONS</b>							



# SERIES ES255

## ES255-DI AIRCRAFT CABLE, PENDANT



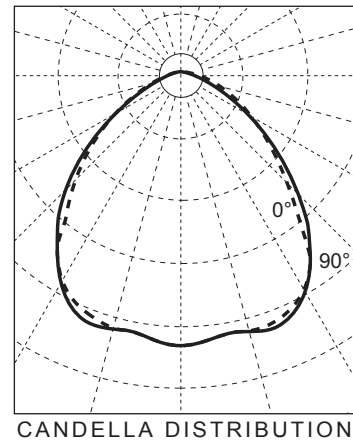
## PHOTOMETRY

Model No: **ES255-D-AC-2/T8**  
2 Lamps•2850 Lumens

### Coefficients of Utilization

RCR	80%			70%			50%		
	70	50	30	70	50	30	30	10	
1	.58	.56	.55	.57	.55		.52	.50	
2	.54	.51	.48	.53			.46	.44	
3	.50	.46	.42				.41	.38	
4	.47	.41					.36	.34	
5	.43						.32	.30	
6	.40				.29		.29	.26	
7	.37			.30	.26		.26	.23	
8	.34	.29		.27	.23		.23	.21	
9	.32	.25	.21	.25	.21		.24	.20	
10	.29	.23	.19	.22	.19		.22	.16	

IN PROCESS



## SPECIFICATIONS

**CONSTRUCTION:** Fixture Chassis extruded of aluminum alloy. Internal construction of 20 gauge, die formed CRS.

**DIFFUSER:** The standard diffuser is a Prismatic Lens, Pattern #12.

**MOUNTING:** Standard Pendant (**P**) stem is 1/4 IPS, 24" long with 5"Dia. canopy. Swivel Pendant with 45° Limit (**SP**). Adjustable length Aircraft Cable (**AC**) assembly has 48" cable, 5"Dia. canopy with cord for power locations. Wall mounted fixtures (**W**) have 5"sq. mounting box.

**FINISH:** Standard fixtures are polyester powder-coated white. Reflective internal components are finished in high gloss white enamel (Minimum Reflectance Factor 90%).

**ELECTRICAL:** All fixtures are UL

listed, and are shipped fully wired, individually tested, with Electronic Ballasts shipped as standard equipment

### OPTIONS:

**DIFFUSERS:** Semi-specular aluminum parabolic louver (**PBL**) with blades 1- 1/4"deep, 1-1/2"o.c.. White steel cross baffle (**WB**) with 3/4" blades 3/4" o.c.. Silver finish parabolic cube 1/2"sq. (**PL1**). 3/4"parabolic cube (**PL2**). 1-1/2" parabolic cube (**PL3**). White opal acrylic lens (**WOA**).

**FINISH:** A range of custom colors are available to meet Architect specifications. Please consult the factory.

**ELECTRICAL:** 277 VoltBallast (**277**).

**Dimming Ballast (DIM).** Emergency Ballast (**EM**) Note: unless specified, PMC will select ballasts to meet requirements. In Line Fusing (**GLR**). 2 Circuit Wiring (**2CIR**).

All dimensions are subject to change, Consult the factory before making structural alterations.

