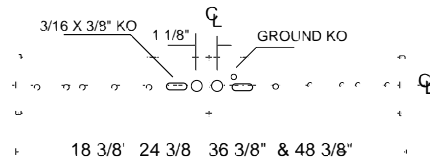
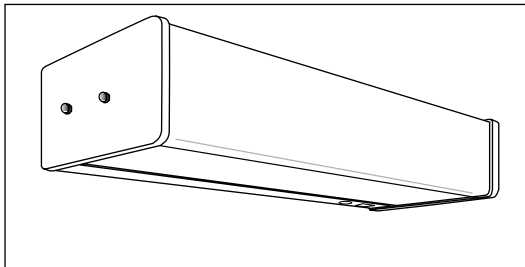
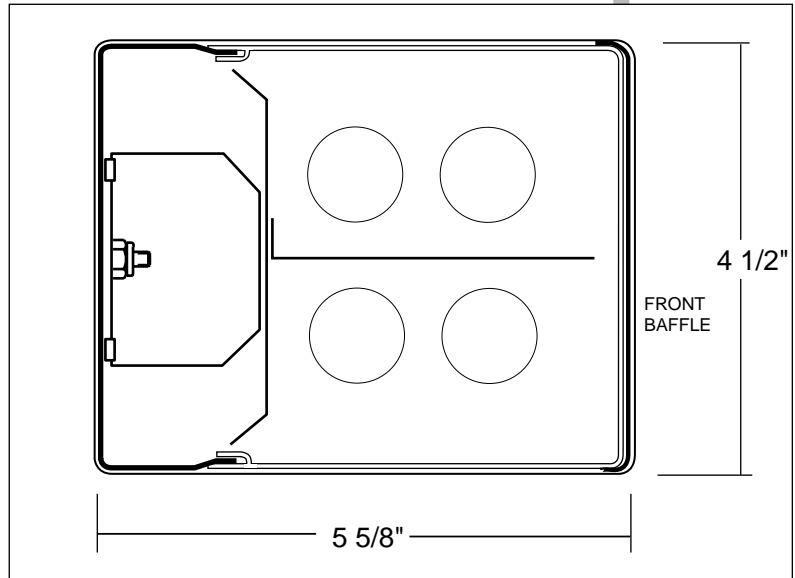


# SERIES S215

Series S215 is often chosen as an efficient, adaptable bed light with its front baffle that eliminates forward light distribution. The possible modifications include light output, switching, pull chain operation and a night-light feature

Standard finish is a powder-coat white applied over a pre-treated surface. Interior reflective surfaces are finished in high-gloss white (M.R.F. 90%).

All fixtures are UL listed and are shipped wired and fully tested, 120V.



## ORDERING INFORMATION

**S215- DI- W 1U2D/RS- 4 - WOA- WHT- EB**

SERIES NUMBER	DI	W	1U/1D 2U/2D	RS OCT	18" 2	WOA Standard	277 EB
LIGHT OUTPUT			1U/2D 2U/1D	BX T-5	3 4		EM DIM GLR
MOUNTING							2CIR *
NUMBER OF LAMPS							PC *
LAMP TYPE							NL *
LENGTH						WHT Standard	
DIFFUSER							
COLOR							
OPTIONS							

\* Available options for this series: 2- Circuit Switch:-  
2CIR; Pull Chain: -PC; Night Light: -NL; 277 Volt -277



a division of PMC Lighting Inc

100 Gilbane Street / Warwick, RI 02886 • 401.738.4963 FAX.401.738.0618

www.oceanstatelighting.com

SU-10