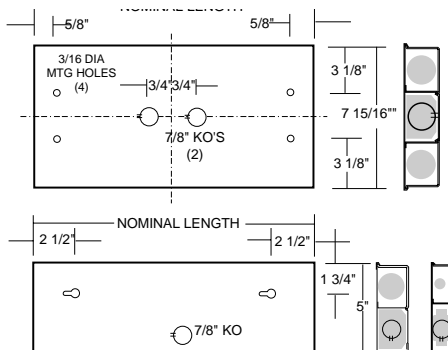
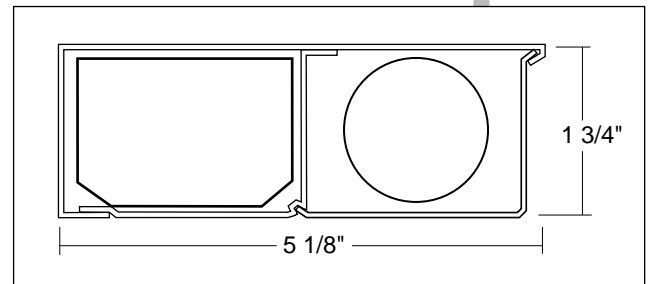
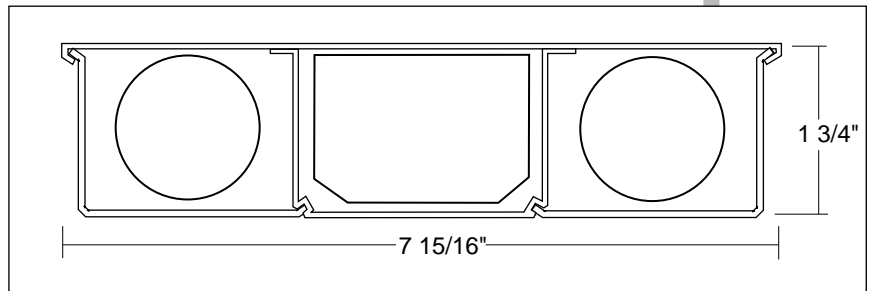
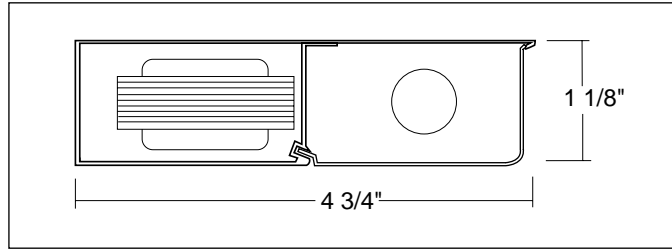


SERIES SL1

Series SL1 has a range of under-counter task lighting to satisfy almost any conditions. The ultra-slim T-5 lamps can fit into tight spaces where depth is a concern, and the 2-lamp Rapid Start or Octron fixtures have an impressive light output for any task light.

The standard finish is a powder-coat white applied over a rust-resistant treated surface. Interior reflective surfaces are finished in highly reflective gloss white enamel (M.R.F. 90%).

All fixtures are UL listed and are shipped fully tested.



ORDERING INFORMATION

MODEL NO.	LAMPS	LENGTH	DEPTH
SL1-8	1-8PH (T-5)	12 3/16"	1 1/8"
SL1-13	1-13PH (T-5)	21 3/16"	1 1/8"
SL1-28	2-8PH (T-5)	24 7/16"	1 1/8"
SL1-813	1-8/1-13PH (T-5)	33 7/16"	1 1/8"
SL1-213	2-13PH (T-5)	42 7/16"	1 1/8"
SL1-17	1-17OCT(T-8)	24 1/8"	1 3/4"
SL1-25	1-25OCT(T-8)	36 1/8"	1 3/4"
SL1-32	1-32OCT(T-8)	48 1/8"	1 3/4"
SL1-217	2-17OCT(T-8)	24 1/8"	1 3/4"
SL1-225	2-25OCT(T-8)	36 1/8"	1 3/4"
SL1-232	2-32OCT(T-8)	48 1/8"	1 3/4"

Options: **(SW)** Rocker Switch; **(EB)** Electronic Ballast; **(EM)** Emergency Ballast; **(GLR)** Fusing; and **(277)**277 Volt.



a division of PMC Lighting Inc

100 Gilbane Street / Warwick, RI 02886 • 401.738.4963 FAX.401.738.0618

www.oceanstatelighting.com

SU-1