

# E-Z SLIDE

PATENT PENDING

## OPTIONS:

### Lamp Options:

**39T6** - 39 Watt T6 Clear

**70T6** - 70 Watt T6 Clear

### Reflector or Baffle Options:

**CL** - Clear Anodized (standard)

**GA** - Gold Anodized

**CA** - Champagne Anodized

**WA** - Wheat Anodized

**SA** - Straw Anodized

**PA** - Pewter Anodized

**GM** - Gun Metal Anodized

**UA** - Umber Anodized

**PW** - Painted White

**PB** - Painted Black

**HZ** - Haze

### Baffle Options:

**MB** - Black Micro Baffle

**WB** - White Micro Baffle

**BRB** - Bronze Micro Baffle

### Installation Options:

**SSA** - Slope Ceiling Adapter (Specify angle in 5 degree increments from 10 - 45 degrees)

### Electrical Options:

**EMQ** - Quartz Re-strike Emergency System

**277** - 277 Volt Operation

**GLR** - In Line Fusing

### Glass Options:

**CGS** - Pattern 73 (Standard)

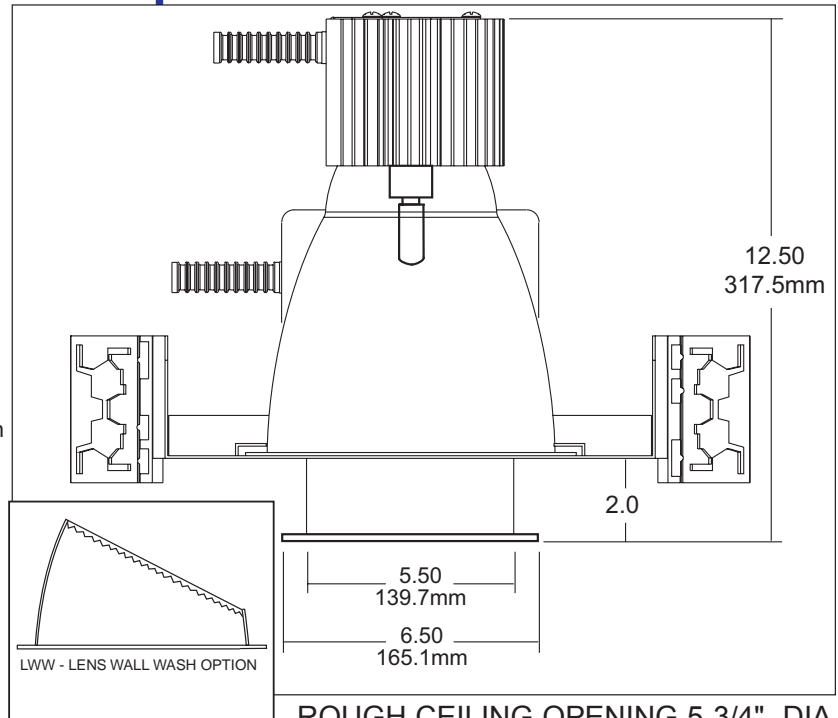
**F** - Frosted

**LWW** - Lens Wall Wash Option

# 6" ROUND. APERTURE

VERTICAL LAMP  
METAL HALIDE  
RECESSED DOWNLIGHT

RECESSED HID



ROUGH CEILING OPENING 5-3/4" DIA.

## PRODUCT SPECIFICATION DATA:

Steel (matte black) Housing

Low iridescent specular Alzak® reflector. Polished trim flange is standard. Matte white trim or other colors available - consult factory.

Designed for 1 T6 vertical lamp. Lamps by others.

Capable of mounting in 2" thick ceiling.

Positive trim retention.

14 Gauge galvanized junction box with snap-on covers.

Suitable for through wiring (4in/4out) #12 AWG.

Factory wired for ease in installation.

Bar hangers are standard

UL/CUL Listed / Damp Location.

Chicago Plenum-CCEA - consult factory.

Electronic Ballast Standard.

Ballast accessible from below ceiling using sliding tray.

Heat sink extruded aluminum socket housing.

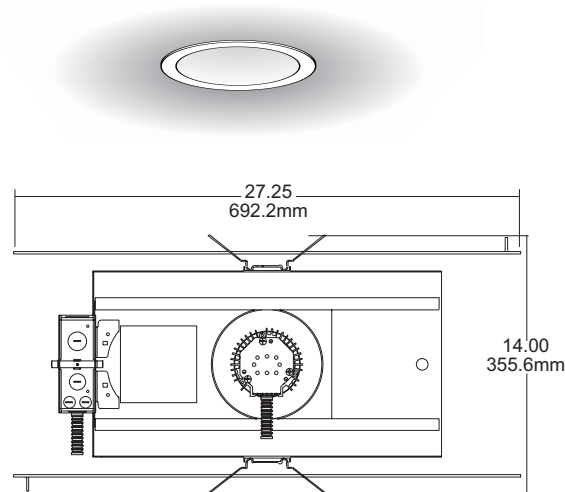
Pulse-rated porcelain socket.

Thermal protection.

## ORDERING INFORMATION

MHT- 6- 39T6 - CL - 120 -

LIGHT SOURCE	APERTURE	LAMP	REFLECTOR OR BAFFLE	ELECTRICAL	GLASS
METAL HALIDE VERTICAL ROUND	6-	39T6 70T6	CL GA CA WA SA PA GM UA PW PB HZ	120 277 EMQ GLR	C73 F LWW



a division of PMC Lighting Inc

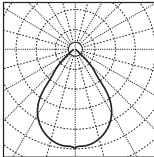
# 6" ROUND. APERTURE

VERTICAL LAMP  
METAL HALIDE  
RECESSED DOWNLIGHT

## PHOTOMETRICS

**CANDELLA**  
VERT AT 0°

90	0
85	0
80	0
75	0
70	0
65	0
60	1
55	3
50	10
45	33
40	60
35	102
30	241
25	739
20	1420
15	2133
10	5238
5	12338
0	19735



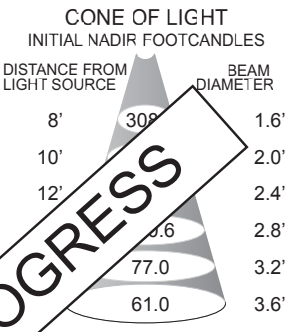
**FOOTLAMBERTS**

90°-85°	0
80°-75°	0
70°-65°	9
60°-55°	153
50°-45°	1466

**Efficiency:**  
**96.3%**  
**S/MH Ratio: .232**

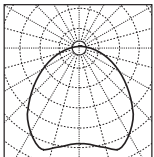
**Model No. MHT-6-39T6-CL-120**  
Coefficients of Utilization-Zonal Cavity

	80%			70%			50%		
	R	C	U	R	C	U	R	C	U
1	1.12	1.10	1.08	1.09	1.08	1.06	1.04	1.03	1.02
2	1.08	1.05	1.02	1.06	1.03	1.01	1.01	.99	.97
3	1.05	1.01	.98	1.04	1.00	.97	.98	.96	.94
4	1.03	.98	.95	1.01	.97	.94	.95	.93	.91
5	1.00	.95	.91	.99	.94	.91	.93	.90	.88
6	.98	.93	.89	.97	.92	.89	.91	.88	.86
7	.96	.90	.87	.95	.90	.87	.89	.86	.84
8	.93	.88	.85	.93	.88	.84	.87	.84	.82
9	.91	.86	.82	.91	.85	.82	.85	.82	.80
10	.89	.83	.80	.88	.80	.80	.82	.80	.78



**CANDELLA**  
VERT AT 0°

90	0
85	0
80	0
75	0
70	0
65	1
60	2
55	3
50	10
45	40
40	68
35	128
30	389
25	1064
20	2090
15	3432
10	5065
5	5962
0	6166



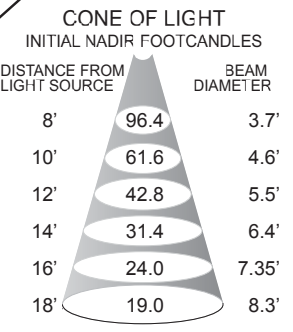
**FOOTLAMBERTS**

90°-85°	0
80°-75°	0
70°-65°	94
60°-55°	181
50°-45°	1781

**Efficiency:**  
**93.5%**  
**S/MH Ratio: .537**

**Model No. MHT-6-70T6-CL-120**  
Coefficients of Utilization-Zonal Cavity

	80%			70%			50%		
	R	C	U	R	C	U	R	C	U
1	1.08	1.06	1.04	1.06	1.04	1.02	1.00	.99	.98
2	1.04	1.00	.97	1.03	1.00	.97	.96	.94	.92
3	1.00	.96	.93	1.01	.97	.94	.92	.90	.88
4	.97	.92	.89	.99	.94	.91	.89	.86	.83
5	.94	.89	.86	.97	.92	.89	.87	.84	.81
6	.91	.86	.83	.94	.89	.86	.84	.81	.78
7	.89	.84	.81	.91	.87	.84	.83	.80	.77
8	.87	.82	.79	.89	.84	.81	.80	.77	.74
9	.84	.79	.76	.86	.81	.78	.77	.74	.71
10	.82	.77	.74	.84	.79	.76	.75	.72	.69



TESTING IN PROGRESS

**Reflector Conversion**

Factors:	Wheat	.88
	Straw	.97
	Champagne	.96
	Gold	.93
	Pewter	.86
	Umber	.83
	Gun Metal	.75
	Micro Baffle	.60



a division of PMC Lighting Inc