

4" SQ. APERTURE METAL HALIDE PAR20 LAMPS

RECESSED HID

OPTIONS:

Lamp Options:

35PAR20 - 35 Watt PAR20 (Medium Base) Maximum Wattage

Reflector or Baffle Options:

CL - Clear Anodized (standard)
GA - Gold Anodized
CA - Champagne Anodized
WA - Wheat Anodized
SA - Straw Anodized
PA - Pewter Anodized
GM - Gun Metal Anodized
UA - Umber Anodized
PW - Painted White
PB - Painted Black
HZ - Haze

Baffle Options:

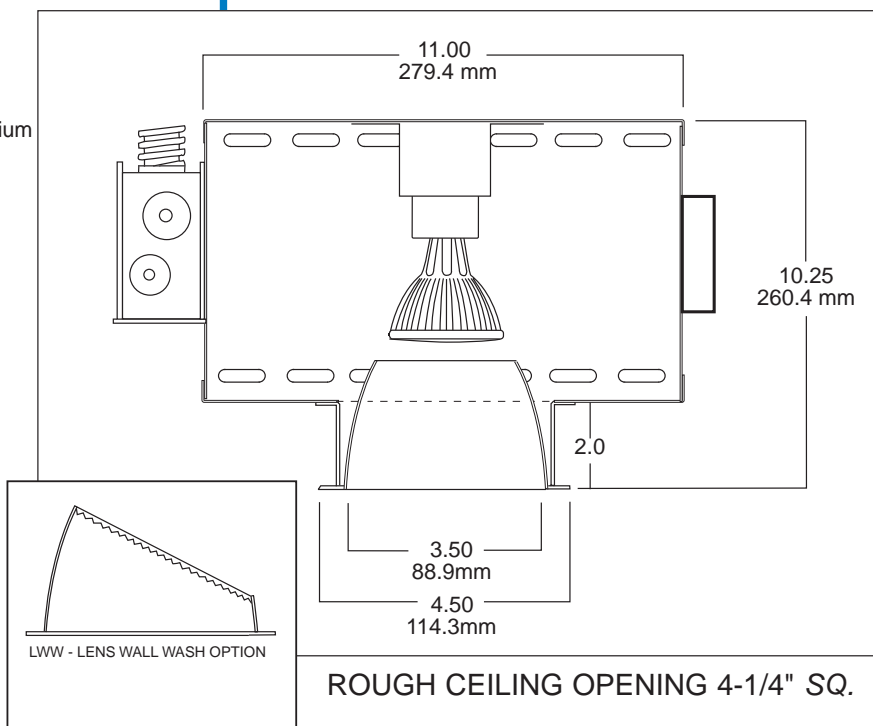
MB - Black Micro Baffle
WB - White Micro Baffle
BRB - Bronze Micro Baffle

Electrical Options:

120 - 120 Volt Operation
277 - 277 Volt Operation
GLR - In Line Fusing

Glass Options:

CGS - Clear
F - Frosted
LWW - Lens Wall Wash



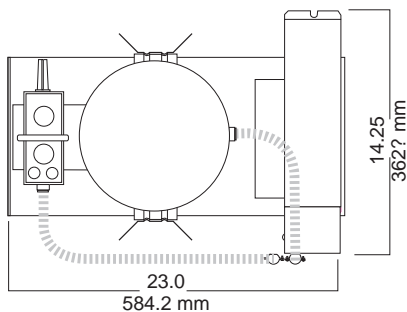
PRODUCT SPECIFICATION DATA:

Steel (matte black) Housing
 Low iridescent specular Alzak® reflector.
 Designed for open vertical PAR20 series lamps.
 Lamps by others.
 Pulse-rated porcelain socket.
 Capable of mounting in 2" thick ceiling.
 Positive trim retention.
 Thermal protection.
 14 Gauge galvanized junction box with snap-on covers.
 Suitable for through wiring (4in/4out) #12 AWG.
 Factory wired for ease in installation.
 UL Listed / Suitable for Damp Location.
 Chicago Plenum-CCEA - consult factory.
 Electronic Ballast Standard.
 Bar Hangers Standard

ORDERING INFORMATION

MHP-SQ - 4 - 35PAR20SP - CL - 120 -

LIGHT SOURCE	APERTURE	LAMP	REFLECTOR OR BAFFLE	ELECTRICAL	GLASS
METAL HALIDE SQUARE		35PAR20SP 35PAR20FL	CL GA CA WA SA PA GM UA PW PB HZ	120 277 GLR	CGS F LWW



a division of PMC Lighting Inc

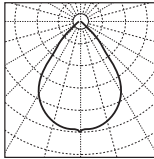
4" SQ. APERTURE

PAR20 LAMPS
METAL HALIDE
RECESSED DOWNLIGHT

PHOTOMETRICS

CANDELLA
VERT° AT 0°

90	0
85	0
80	0
75	0
70	0
65	1
60	1
55	3
50	10
45	33
40	60
35	102
30	241
25	739
20	1420
15	2133
10	5238
5	12338
0	19735



FOOTLAMBERTS

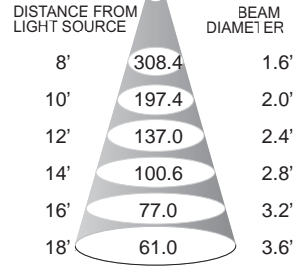
90°-85°	0
80°-75°	0
70°-65°	9
60°-55°	153
50°-45°	1466

Efficiency:
96.3%
S/MH Ratio: .232

Model No. MHP-SQ-4-35PAR20SP-CL-120
Coefficients of Utilization-Zonal Cavity

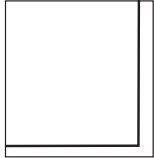
	80%			70%			50%			
	RCR	70	50	30	70	50	30	50	30	10
1	1.12	1.10	1.08	1.09	1.08	1.06	1.04	1.03	1.02	
2	1.08	1.05	1.02	1.06	1.03	1.01	1.01	.99	.97	
3	1.05	1.01	.98	1.04	1.00	.97	.98	.96	.94	
4	1.03	.98	.95	1.01	.97	.94	.95	.93	.91	
5	1.00	.95	.91	.99	.94	.91	.93	.90	.88	
6	.98	.93	.89	.97	.92	.89	.91	.88	.86	
7	.96	.90	.87	.95	.90	.87	.89	.86	.84	
8	.93	.88	.85	.93	.88	.84	.87	.84	.82	
9	.91	.86	.82	.91	.85	.82	.85	.82	.80	
10	.89	.83	.80	.88	.80	.80	.82	.80	.78	

CONE OF LIGHT
INITIAL NADIR FOOTCANDLES



CANDELLA
VERT° AT 0°

90	0
85	0
80	0
75	0
70	0
65	1
60	2
55	3
50	10
45	40
40	68
35	129
30	389
25	1064
20	2090
15	3432
10	5065
5	5962
0	6166



FOOTLAMBERTS

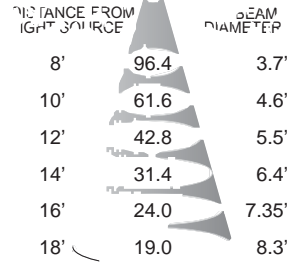
90°-85°	0
80°-75°	0
70°-65°	94
60°-55°	181
50°-45°	1781

Efficiency:
93.5%
S/MH Ratio: .537

Model No. MHP-SQ-4-35PAR20FL-CL-120
Coefficients of Utilization-Zonal Cavity

	80%			70%			50%			
	RCR	70	50	30	70	50	30	50	30	10
1	1.08	1.06	1.04	1.06	1.04	1.02	1.00	.99	.98	
2	1.04	1.00	.97	1.02	.99	.96	.96	.94	.92	
3	1.00	.96	.93	.99	.95	.92	.92	.90	.88	
4	.97	.92	.88	.95	.91	.87	.89	.86	.83	
5	.94	.88	.84	.92	.87	.83	.85	.82	.80	
6	.91	.85	.81	.90	.84	.80	.83	.79	.77	
7	.88	.82	.78	.87	.81	.77	.80	.77	.74	
8	.85	.79	.75	.84	.78	.74	.77	.74	.71	
9	.82	.75	.71	.81	.75	.71	.74	.71	.68	
10	.79	.72	.68	.78	.72	.68	.71	.68	.65	

CONE OF LIGHT
INITIAL NADIR FOOTCANDLES



Reflector Conversion

Factors:

Wheat	.88
Straw	.97
Champagne	.96
Gold	.93
Pewter	.86
Umber	.83
Gun Metal	.75
Micro Baffle	.60



a division of PMC Lighting Inc