

# 10" APERTURE

## MP SERIES COATED LAMPS

### METAL HALIDE ED17

### SPLAY RECESSED DOWNLIGHT

**OPTIONS:**

**Lamp Options:**

**175ED17** - 175 Watt ED17MP Coated (Medium Base) Maximum Wattage

**Splay Options:**

- WB** - White Micro Baffle
- MB** - Black Micro Baffle
- BRB** - Bronze Micro Baffle
- PW** - Painted White Splay
- PB** - Painted Black Splay
- PBR** - Painted Bronze Splay

**Lens Options:**

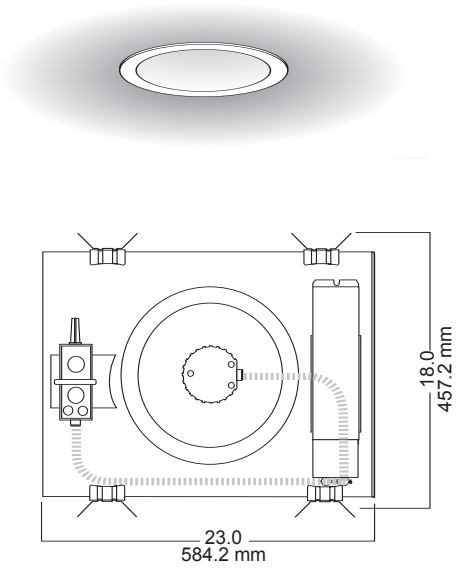
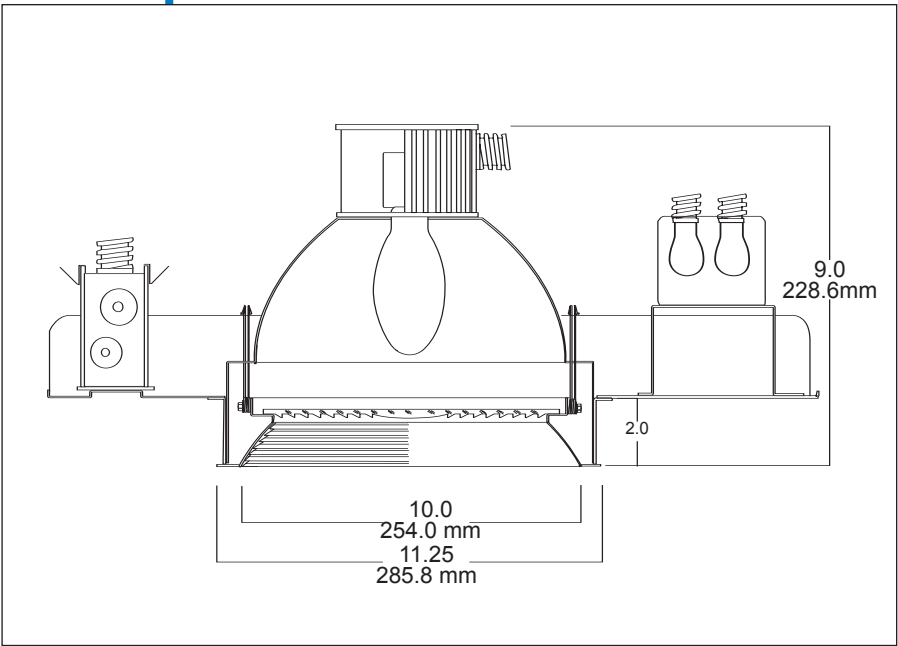
- FF** - Glass Fresnel Lens
- C73** - Corning Pattern 73 (standard)

**Installation Options:**

- C** - C Channel Hangers 27" (2)
- BH** - T-Bar Ceiling Hanging Assemblies (2)
- TP** - Tamper Proof

**Electrical Options:**

- EMQ** - Quartz Re-strike Emergency System  
(Wattage may not exceed primary fixture wattage, and requires lens or clear glass shield)
- 277** - 277 Volt Operation
- GLR** - In Line Fusing



**PRODUCT SPECIFICATION DATA:**  
 Low iridescent specular Alzak® reflector.  
 Designed for vertical ED17MP series lamps.  
 Lamps by others.  
 Heat sink extruded aluminum socket housing.  
 Pulse-rated porcelain socket.  
 Capable of mounting in 2" thick ceiling.  
 Positive trim retention.  
 Thermal protection.  
 14 Gauge galvanized junction box with snap-on covers.  
 Suitable for through wiring (4in/4out) #12 AWG.  
 Factory wired for ease in installation.  
 ETL/CSA Listed / Damp Location.  
 Chicago Plenum-CCEA - consult factory.  
 Electronic Ballast standard (up to 150W) Advance

**ORDERING INFORMATION**

MH- 10SPL- 70ED17- PW- - 120-

LIGHT SOURCE	APERTURE	LAMP	SPLAY	LENS	VOLTAGE	OPTIONS
METAL HALIDE		50ED17 70ED17 100ED17 150ED17 175ED17	PW PB R MB WB BR B	FF C73	120 277	EMQ GLR C BH TP



a division of PMC Lighting Inc

# 10" APERTURE

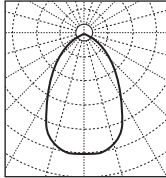
MP SERIES COATED LAMPS  
METAL HALIDE ED17  
SPLAY RECESSED DOWNLIGHT

RECESSED HID

## PHOTOMETRICS

**CANDELLA**  
VERT. AT 0°

90	2
85	25
80	53
75	81
70	150
65	218
60	351
55	484
50	736
45	988
40	1401
35	1813
30	2164
25	2515
20	2600
15	2684
10	2666
5	2648
0	2647



**FOOTLAMBERTS**

90°-85°	1831
80°-75°	1997
70°-65°	3292
60°-55°	5386
50°-45°	8919

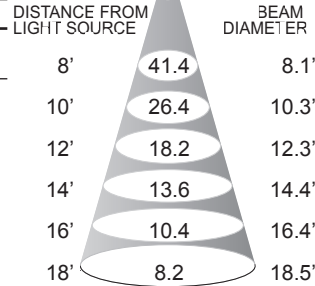
**Efficiency: 60.6%**  
**S/MH Ratio: 1.202**

**Model No. MH-10SPL-100ED17-PW-C73-120**

**Coefficients of Utilization-Zonal Cavity**

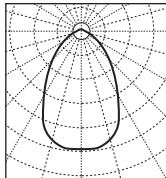
	80%			70%			50%			
	RCR	70	50	30	70	50	30	50	30	10
1	.68	.66	.64	.66	.64	.63	.62	.61	.59	
2	.64	.60	.57	.62	.59	.56	.57	.55	.53	
3	.60	.55	.51	.58	.54	.50	.52	.49	.47	
4	.56	.50	.46	.54	.49	.45	.48	.45	.42	
5	.52	.45	.41	.51	.45	.41	.44	.40	.37	
6	.48	.42	.37	.47	.41	.37	.40	.37	.34	
7	.45	.38	.34	.44	.38	.34	.37	.33	.30	
8	.42	.35	.30	.41	.34	.30	.34	.30	.27	
9	.39	.32	.27	.38	.31	.27	.31	.27	.24	
10	.36	.29	.25	.35	.29	.25	.28	.24	.22	

**CONE OF LIGHT**  
INITIAL NADIR FOOTCANDLES



**CANDELLA**  
VERT. AT 0°

90	2
85	17
80	38
75	58
70	116
65	173
60	288
55	403
50	643
45	883
40	1314
35	1744
30	2175
25	2605
20	2839
15	3073
10	2978
5	2883
0	2846



**FOOTLAMBERTS**

90°-85°	1245
80°-75°	1430
70°-65°	2613
60°-55°	4484
50°-45°	7970

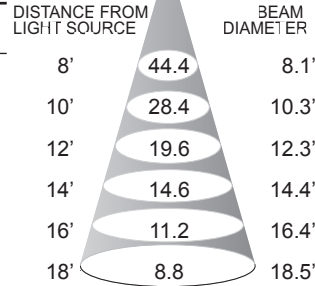
**Efficiency: 59.3%**  
**S/MH Ratio: 1.150**

**Model No. MH-10SPL-100ED17-PW-FF-120**

**Coefficients of Utilization-Zonal Cavity**

	80%			70%			50%			
	RCR	70	50	30	70	50	30	50	30	10
1	.67	.65	.63	.65	.63	.62	.61	.60	.59	
2	.63	.59	.57	.61	.58	.56	.56	.54	.52	
3	.59	.54	.51	.58	.54	.50	.52	.49	.47	
4	.55	.50	.46	.54	.49	.46	.48	.45	.42	
5	.52	.46	.42	.50	.45	.41	.44	.41	.38	
6	.48	.42	.38	.47	.42	.38	.41	.37	.35	
7	.45	.39	.35	.44	.38	.34	.38	.34	.31	
8	.42	.36	.31	.41	.35	.31	.34	.31	.28	
9	.39	.32	.28	.38	.32	.28	.31	.28	.25	
10	.37	.30	.26	.36	.30	.26	.29	.25	.23	

**CONE OF LIGHT**  
INITIAL NADIR FOOTCANDLES



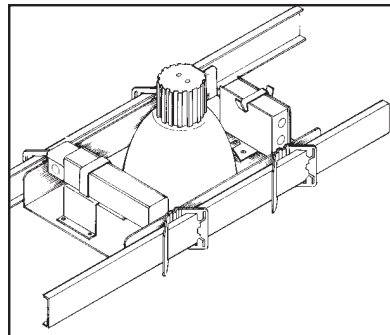
**effector Conversion Factors:**

Straw .97	Pewter .86
Champagne .96	Umber .83
Gold .93	Gun Metal .75
Wheat .88	Micro Baffle .60

**Lamp Conversion Factors**

	MH	HPS	MV
50W	.38	1.25	.52
70W	.59	1.23	.59
100W	1.00	1.09	.53
150W	1.49	1.25	NA
175W	1.65	NA	NA

## INSTALLATION



Universal mounting brackets are installed on all fixtures. C-Channels (shown) are the preferred system for mounting in Plaster-type ceilings. For T-Bar ceilings and other mounting use BH Hangers or scrap EMT.

Ocean State Lighting has designed this system for sloped ceilings specifically to make installation as easy and rapid as possible. For details consult the factory.



a division of PMC Lighting Inc