

# 6" APERTURE

METAL HALIDE PAR30 LAMPS  
ADJUSTABLE RECESSED DOWNLIGHT  
(355° ROTATION, 45° TILT)

**OPTIONS:**

**Lamp Options:**

**70PAR30** - 70 Watt PAR30 (Medium Base) Maximum Wattage

**Reflector or Baffle Options:**

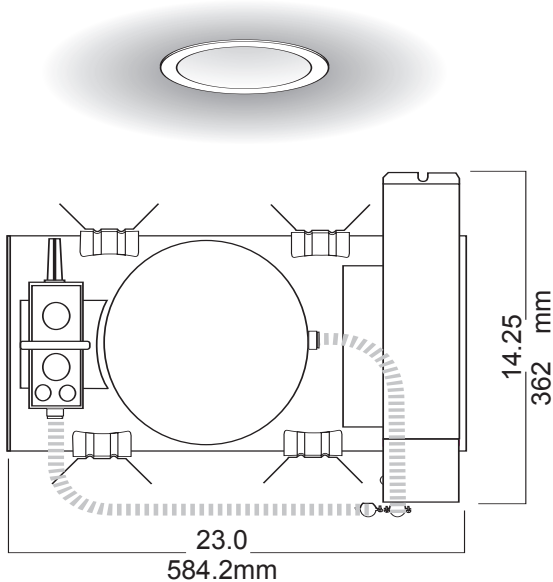
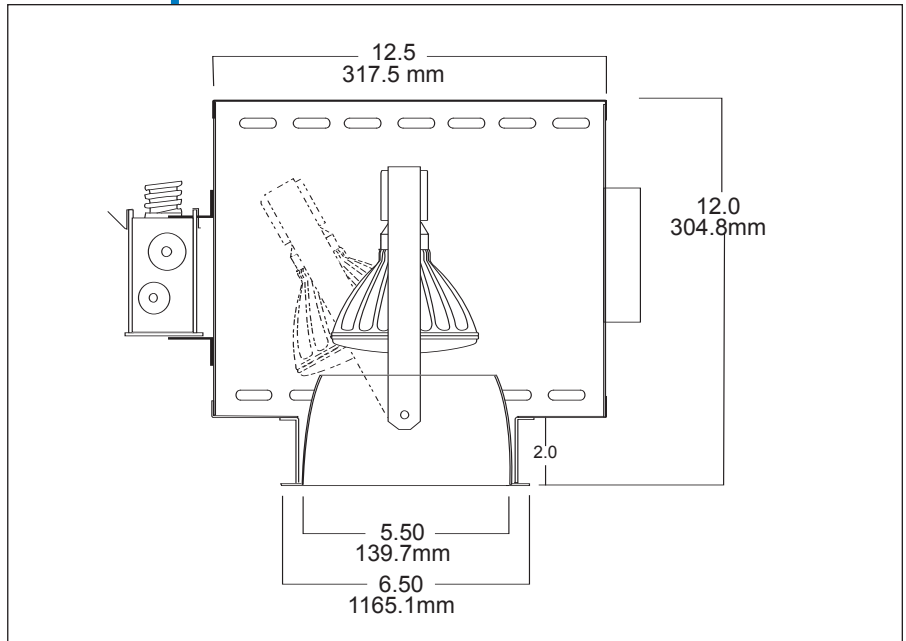
- CL** - Clear Anodized (standard)
- GA** - Gold Anodized
- CA** - Champagne Anodized
- WA** - Wheat Anodized
- SA** - Straw Anodized
- PA** - Pewter Anodized
- GM** - Gun Metal Anodized
- UA** - Umber Anodized
- PW** - Painted White
- PB** - Painted Black
- MB** - Black Micro Baffle
- WB** - White Micro Baffle
- BRB** - Bronze Micro Baffle
- HZ** - Haze

**Electrical Options:**

- 120** - 120 Volt Operation
- 277** - 277 Volt Operation
- GLR** - In Line Fusing
- EB** - Electronic Ballast

**Glass Options:**

- CGS** - Clear Glasson
- LL** - Linear Lens



**PRODUCT SPECIFICATION DATA:**

Low iridescent specular Alzak® reflector.  
Designed for open vertical PAR30 series lamps.  
Lamps by others.  
Heat sink extruded aluminum socket housing.  
Pulse-rated porcelain socket.  
Capable of mounting in 2" thick ceiling.  
Positive trim retention.  
Thermal protection.  
14 Gauge galvanized junction box with snap-on covers.  
Suitable for through wiring (4in/4out) #12 AWG.  
Factory wired for ease in installation.  
ETL/CSA Listed / Damp Location.  
Chicago Plenum-CCEA - consult factory.  
Electronic Ballast standard (Advance)  
Bar Hangers Standard

**ORDERING INFORMATION**

MH-ADJ- 6- 35PAR30SP- CL - 120-

LIGHT SOURCE	APERTURE	LAMP	REFLECTOR OR BAFFLE	ELECTRICAL	GLASS
METAL HALIDE ADJUSTABLE		35PAR30SP 70PAR30SP 35PAR30FL 70PAR30FL	CL GA CA WA SA PA GM UA PW PB HZ	MB WB BRB  120 277 GLR EB	CGS LL



a division of PMC Lighting Inc

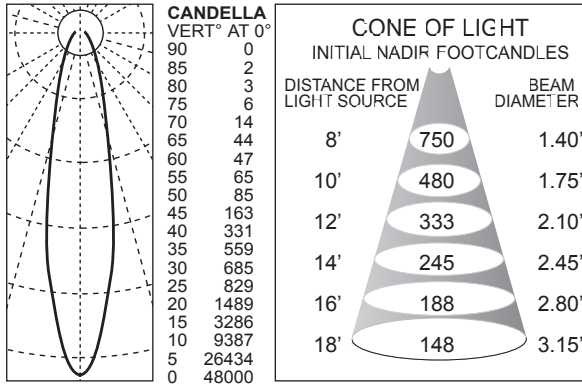
# 6" APERTURE

METAL HALIDE PAR30 LAMPS  
ADJUSTABLE RECESSED DOWNLIGHT  
(355° ROTATION, 45° TILT)

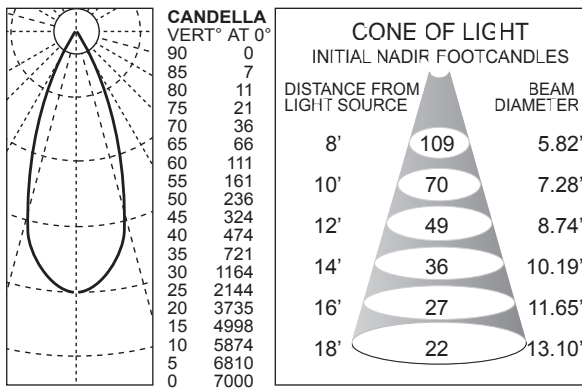
RECESSED HID

## PHOTOMETRICS

**Model No. MH-ADJ-6-70PAR30SP-CL-120**



**Model No. MH-ADJ-6-70PAR30FL-CL-120**



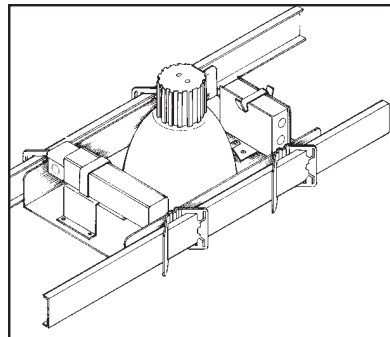
**Reflector Conversion**

<b>Factors:</b>	Wheat .88
Straw .97	Pewter .86
Champagne .96	Umber .83
Gold .93	Gun Metal .75
	Micro Baffle .60

**Lamp Conversion Factors**

	MH
35W	.29
50W	.38
70W	.59
100W	1.01
150W	1.49

## INSTALLATION



Universal mounting brackets are installed on all fixtures. C-Channels (shown) are the preferred system for mounting in Plaster-type ceilings. For T-Bar ceilings and other mounting use BH Hangers or scrap EMT.

Ocean State Lighting has designed this system for sloped ceilings specifically to make installation as easy and rapid as possible. For details consult the factory.



a division of PMC Lighting Inc