

# 4" APERTURE

## METAL HALIDE PAR20 LAMPS

### ADJUSTABLE RECESSED DOWNLIGHT (355° ROTATION, 45° TILT)

**OPTIONS:**

**Lamp Options:**

**35PAR20** - 35 Watt PAR20 (Medium Base) Maximum Wattage

**Reflector or Baffle Options:**

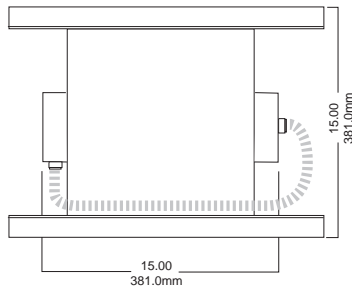
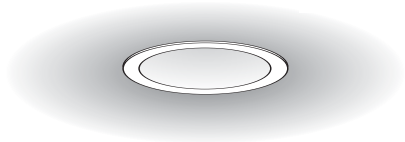
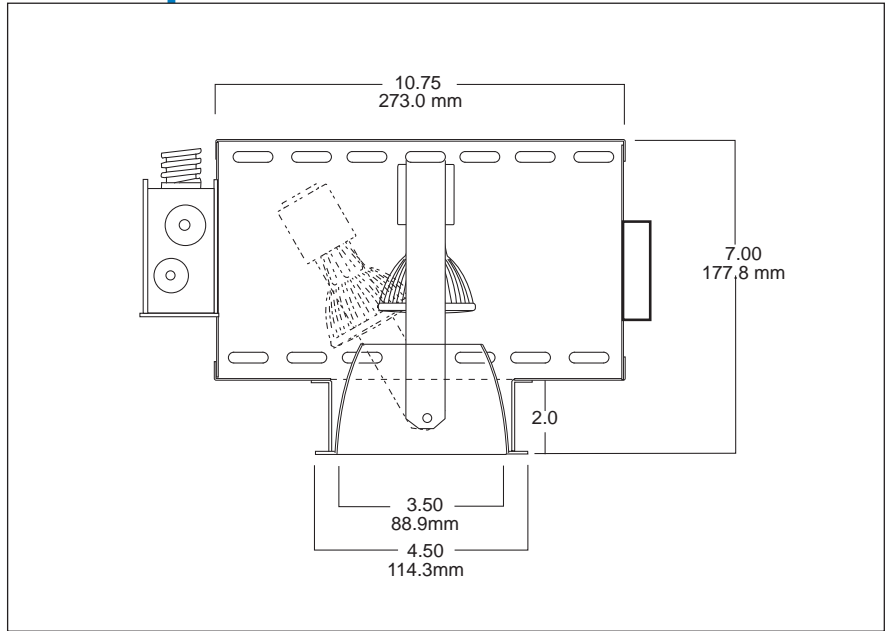
- CL** - Clear Anodized (standard)
- GA** - Gold Anodized
- CA** - Champagne Anodized
- WA** - Wheat Anodized
- SA** - Straw Anodized
- PA** - Pewter Anodized
- GM** - Gun Metal Anodized
- UA** - Umber Anodized
- PW** - Painted White
- PB** - Painted Black
- MB** - Black Micro Baffle
- WB** - White Micro Baffle
- BRB** - Bronze Micro Baffle

**Installation Options:**

- C** - C Channel Hangers 27" (2)
- BH** - T-Bar Ceiling Hanging Assemblies (2)

**Electrical Options:**

- 277** - 277 Volt Operation
- GLR** - In Line Fusing



**PRODUCT SPECIFICATION DATA:**

Low iridescent specular Alzak® reflector.  
 Designed for open vertical PAR20 series lamps.  
 Lamps by others.  
 Heat sink extruded aluminum socket housing.  
 Pulse-rated porcelain socket.  
 Capable of mounting in 2" thick ceiling.  
 Positive trim retention.  
 Thermal protection.  
 14 Gauge galvanized junction box with snap-on covers.  
 Suitable for through wiring (4in/4out) #12 AWG.  
 Factory wired for ease in installation.  
 ETL/CSA Listed / Damp Location.  
 Chicago Plenum-CCEA - consult factory.  
 F-Can electro-magnetic multi-tap ballast with connection box.

**ORDERING INFORMATION**

MH-ADJ-		4-	35PAR20SP-	CL-	120-	
LIGHT SOURCE	APERTURE	LAMP	REFLECTOR OR BAFFLE	VOLTAGE	OPTIONS	
METAL HALIDE		35PAR20S	CL	120	GLR	
ADJUSTABLE		P	GA	277	C	
		35PAR20F	CA		BH	
		L	WA			
			SA			
			PA			
			GM			
			UA			
			PW			
			PB			



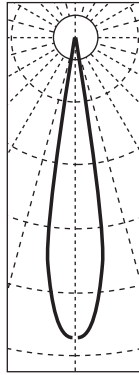
a division of PMC Lighting Inc

# 4" APERTURE

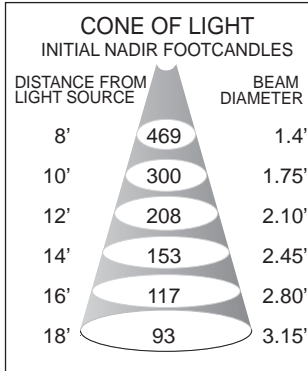
METAL HALIDE PAR20 LAMPS  
 ADJUSTABLE RECESSED DOWNLIGHT  
 (355° ROTATION, 45° TILT)

## PHOTOMETRICS

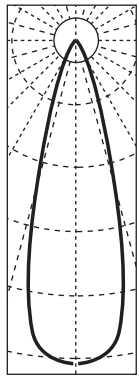
**Model No. MH-ADJ-4-35PAR20SP-CL-120**



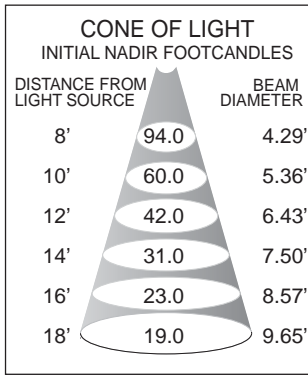
VERT° AT 0°	CADEL-LA
90	0
85	10
80	14
75	33
70	56
65	103
60	116
55	120
50	143
45	246
40	456
35	538
30	623
25	698
20	744
15	1226
10	3346
5	11172
0	30000



**Model No. MH-ADJ-4-35PAR20FL-CL-120**



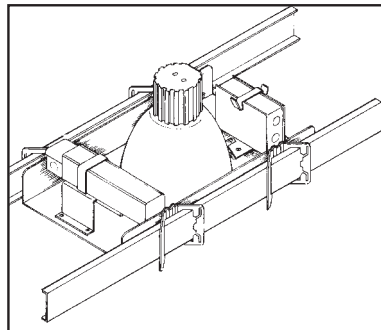
VERT° AT 0°	CADEL-LA
90	0
85	10
80	17
75	31
70	44
65	68
60	109
55	157
50	200
45	257
40	299
35	343
30	443
25	606
20	1111
15	2582
10	4639
5	5753
0	6000



**Reflector Conversion**

<b>Factors:</b>	Wheat .88
Straw .97	Pewter .86
Champagne .96	Umber .83
Gold .93	Gun Metal .75
	Micro Baffle .60

## INSTALLATION



Universal mounting brackets are installed on all fixtures. C-Channels (shown) are the preferred system for mounting in Plaster-type ceilings. For T-Bar ceilings and other mounting use BH Hangers or scrap EMT.

Ocean State Lighting has designed this system for sloped ceilings specifically to make installation as easy and rapid as possible. For details consult the factory.



a division of PMC Lighting Inc