

# 13" APERTURE

METAL HALIDE ED28 COATED LAMPS  
NARROW DISTRIBUTION RECESSED  
WITH CLEAR GLASS SHIELD

**OPTIONS:**

**Lamp Options:**

**400ED28** - 400 Watt ED28 Coated (Mogul Base) Maximum Wattage

**Reflector Options:**

- CL** - Clear Anodized (standard)
- GA** - Gold Anodized
- CA** - Champagne Anodized
- WA** - Wheat Anodized
- SA** - Straw Anodized
- PA** - Pewter Anodized
- GM** - Gun Metal Anodized
- UA** - Umber Anodized
- PW** - Painted White
- PB** - Painted Black

**Glass Options:**

**CGS** - Clear Glass Shield (standard)

**Baffle Options:**

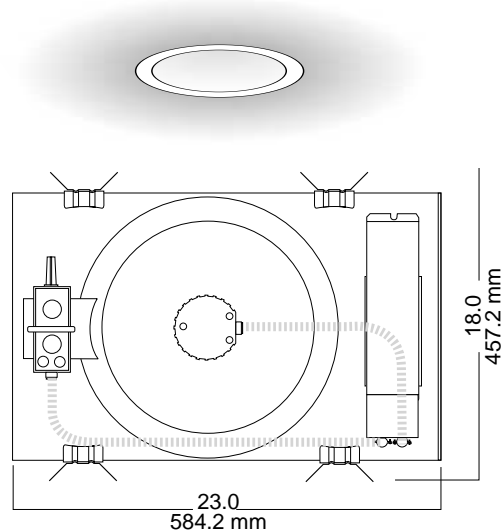
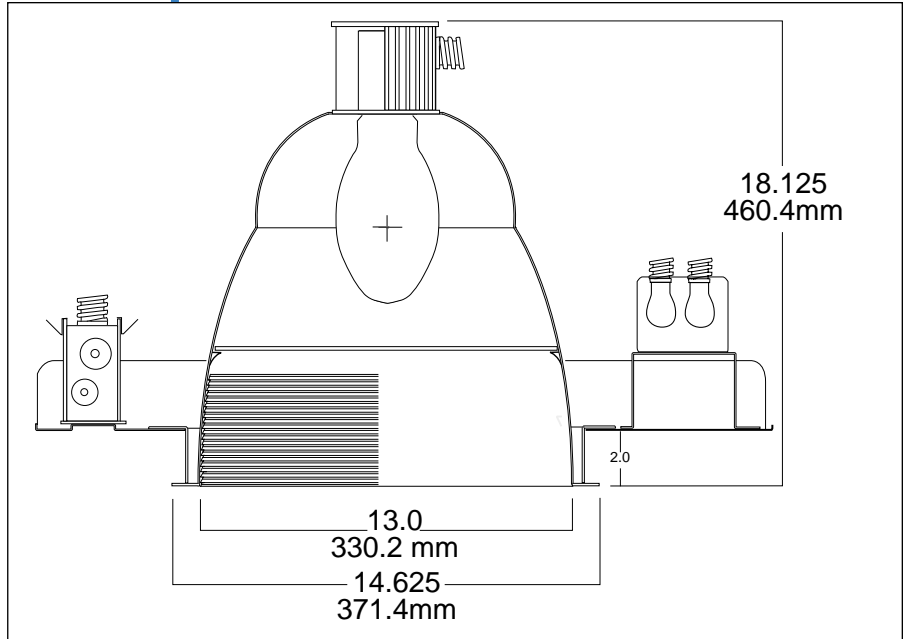
- MB** - Black Micro Baffle
- WB** - White Micro Baffle
- BRB** - Bronze Micro Baffle

**Installation Options:**

- C** - C Channel Hangers 27" (2) Assemblies (2)
- BH** - T-Bar Ceiling Hanging Assemblies (2)
- SSA** - Slope Ceiling Adapter (specify degree in 5° increments from 10 - 45°)

**Electrical Options:**

- EMQ** - Quartz Re-strike Emergency System  
(Wattage may not exceed primary fixture wattage, and requires lens or clear glass shield)
- 277** - 277 Volt Operation
- GLR** - In Line Fusing



**PRODUCT SPECIFICATION DATA:**

Low iridescent specular Alzak® reflector.  
Designed for open vertical ED28 series lamps.  
Lamps by others.  
Clear glass shield (CGS) standard.  
Heat sink extruded aluminum socket housing.  
Pulse-rated porcelain socket.  
Capable of mounting in 2" thick ceiling.  
Positive trim retention.  
Thermal protection.  
14 Gauge galvanized junction box with snap-on covers.  
Suitable for through wiring (4in/4out) #12 AWG.  
Factory wired for ease in installation.  
ETL/CSA Listed / Damp Location.  
Chicago Plenum-CCEA - consult factory.  
F-Can electro-magnetic multi-tap ballast with connection box.

**ORDERING INFORMATION**

MH - 13N - 400ED28 - CL - CGS - - 120 -

LIGHT SOURCE	APERTURE	LAMP	REFLECTOR	GLASS	BAFFLE	VOLTAGE	OPTIONS
METAL HALIDE		175ED28 250ED28 400ED28	CL GA CA WA SA PA GM UA PW PB	CG S	MB WB BR B	120 277	EMQ GLR C BH SSA



a division of PMC Lighting Inc

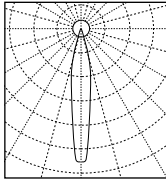
# 13" APERTURE

METAL HALIDE ED28 COATED LAMPS  
NARROW DISTRIBUTION RECESSED  
WITH CLEAR GLASS SHIELD

## PHOTOMETRICS

**CANDELLA**  
VERT° AT 0°

90	0
85	0
80	0
75	0
70	0
65	19
60	32
55	97
50	967
45	1602
40	1814
35	1790
30	2820
25	3860
20	7661
15	15288
10	39131
5	99090
0	138293



**FOOTLAMBERTS**

90°-85°	0
80°-75°	0
70°-65°	153
60°-55°	573
50°-45°	7719

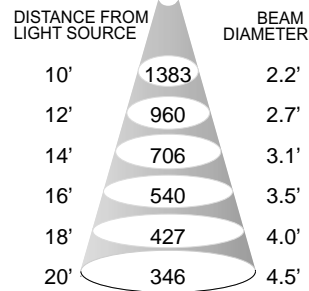
**Efficiency: 82.0%**  
**S/MH Ratio: .259**

### Model No. MH-13N-250ED28-CL-CGS-120

Coefficients of Utilization-Zonal Cavity

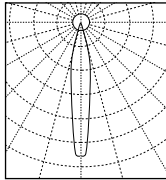
	80%			70%			50%		
	R	C	U	R	C	U	R	C	U
1	.95	.93	.92	.93	.91	.90	.88	.87	.86
2	.92	.89	.86	.90	.87	.85	.85	.83	.82
3	.89	.85	.82	.87	.84	.82	.82	.80	.78
4	.86	.82	.79	.85	.81	.78	.80	.77	.75
5	.84	.79	.76	.83	.78	.75	.77	.75	.73
6	.82	.77	.74	.81	.76	.73	.75	.73	.71
7	.79	.74	.71	.79	.74	.71	.73	.70	.68
8	.77	.72	.69	.77	.72	.69	.71	.68	.66
9	.75	.70	.67	.75	.70	.67	.69	.66	.64
10	.73	.68	.65	.73	.68	.65	.67	.64	.63

### CONE OF LIGHT INITIAL NADIR FOOTCANDLES



**CANDELLA**  
VERT° AT 0°

90	0
85	0
80	0
75	0
70	0
65	31
60	52
55	158
50	1583
45	2621
40	2968
35	2930
30	4614
25	6316
20	12536
15	25017
10	64032
5	162148
0	226298



**FOOTLAMBERTS**

90°-85°	0
80°-75°	9
70°-65°	251
60°-55°	938
50°-45°	12632

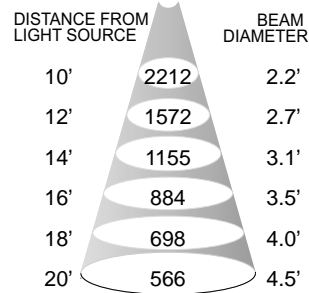
**Efficiency: 82.0%**  
**S/MH Ratio: .259**

### Model No. MH-13N-400ED28-CL-CGS-120

Coefficients of Utilization-Zonal Cavity

	80%			70%			50%		
	R	C	U	R	C	U	R	C	U
1	.95	.93	.92	.93	.91	.90	.88	.87	.86
2	.92	.89	.86	.90	.87	.85	.85	.83	.82
3	.89	.85	.82	.87	.84	.82	.82	.80	.78
4	.86	.82	.79	.85	.81	.78	.80	.77	.75
5	.84	.79	.76	.83	.78	.75	.77	.75	.73
6	.82	.77	.74	.81	.76	.73	.75	.73	.71
7	.79	.74	.71	.79	.74	.71	.73	.70	.68
8	.77	.72	.69	.77	.72	.69	.71	.68	.66
9	.75	.70	.67	.75	.70	.67	.69	.66	.64
10	.73	.68	.65	.73	.68	.65	.67	.64	.63

### CONE OF LIGHT INITIAL NADIR FOOTCANDLES



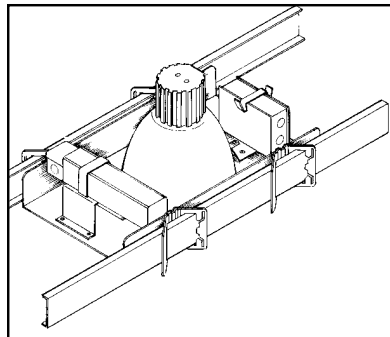
#### Reflector Conversion

Wheat	.88
Straw	.97
Champagne	.96
Gold	.93
Pewter	.86
Umber	.83
Gun Metal	.75
Micro Baffle	.60

#### Lamp Conversion Factors

	MH	HPS	MV
175W	1.00	1.25	.61
250W	1.58	1.34	.54
400W	2.91	1.39	.63

## INSTALLATION



Universal mounting brackets are installed on all fixtures. C-Channels (shown) are the preferred system for mounting in Plaster-type ceilings. For T-Bar ceilings and other mounting use BH Hangers or scrap EMT.

Ocean State Lighting has designed this system for sloped ceilings specifically to make installation as easy and rapid as possible. For details consult the factory.



a division of PMC Lighting Inc