

10" APERTURE

MP SERIES COATED LAMPS OPEN METAL HALIDE ED28 RECESSED MEDIUM DISTRIBUTION

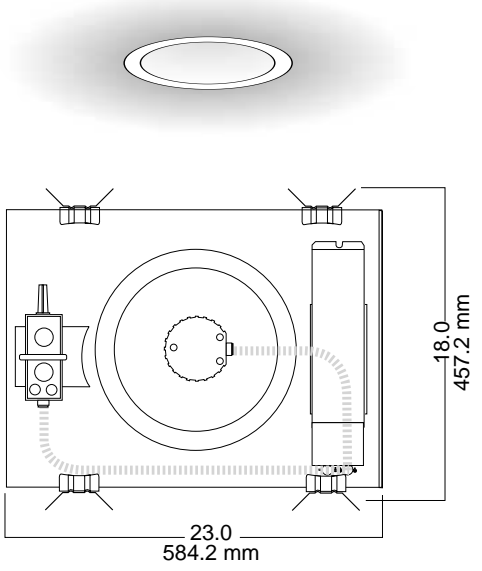
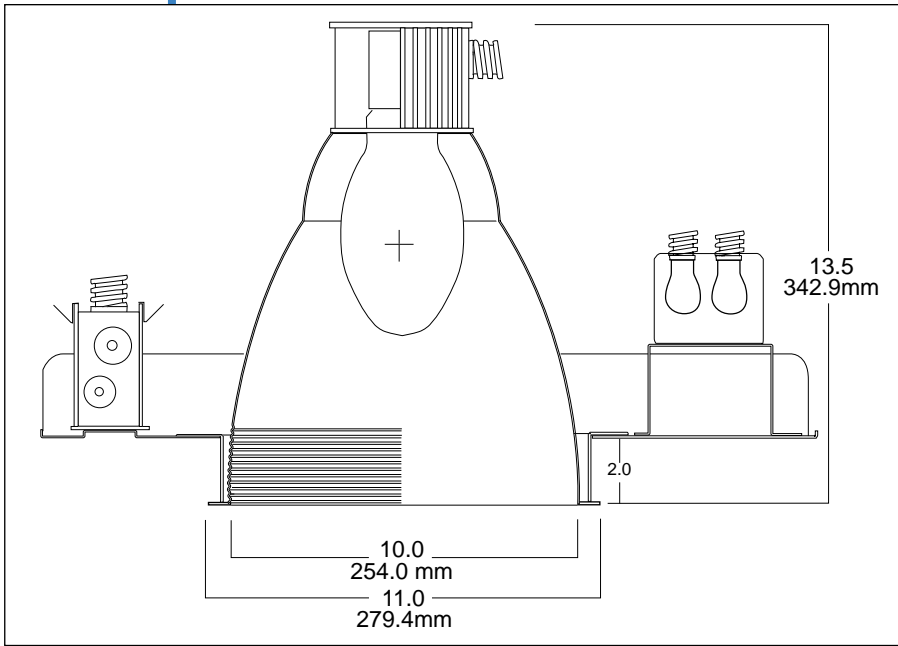
- OPTIONS:**
- Lamp Options:**
175ED28 - 175 Watt ED28MP Coated (Mogul Base) Maximum Wattage
- Reflector Options:**
CL - Clear Anodized (standard)
GA - Gold Anodized
CA - Champagne Anodized
WA - Wheat Anodized
SA - Straw Anodized
PA - Pewter Anodized
GM - Gun Metal Anodized
UA - Umber Anodized
PW - Painted White
PB - Painted Black

- Glass Options:**
CGS - Clear Glass Shield
C73 - Corning Pattern 73

- Baffle Options:**
MB - Black Micro Baffle
WB - White Micro Baffle
BRB - Bronze Micro Baffle

- Installation Options:**
C - C Channel Hangers 27" (2)
BH - T-Bar Ceiling Hanging Assemblies (2)
SSA - Slope Ceiling Adapter (specify degree in 5° increments from 10 - 45°)

- Electrical Options:**
EMQ - Quartz Re-strike Emergency System (Wattage may not exceed primary fixture wattage, and requires lens or clear glass shield)
277 - 277 Volt Operation
GLR - In Line Fusing



PRODUCT SPECIFICATION DATA:
 Low iridescent specular Alzak® reflector.
 Designed for open vertical ED28MP series lamps. Lamps by others.
 Heat sink extruded aluminum socket housing.
 Pulse-rated porcelain socket.
 Capable of mounting in 2" thick ceiling.
 Positive trim retention.
 Thermal protection.
 14 Gauge galvanized junction box with snap-on covers.
 Suitable for through wiring (4in/4out) #12 AWG.
 Factory wired for ease in installation.
 ETL/CSA Listed / Damp Location.
 Chicago Plenum-CCEA - consult factory.
 F-Can electro-magnetic multi-tap ballast with connection box.

ORDERING INFORMATION

OMH- 10- 100ED17- CL- - - 120-

LIGHT SOURCE	APERTURE	LAMP	REFLECTOR	GLASS	BAFFLE	VOLTAGE	OPTIONS
OPEN METAL HALIDE	10	100ED17 150ED17 175ED28	CL GA CA WA SA PA GM UA PW PB	CG S C73	MB WB BR B	120 277	EMQ GLR C BH SSA

Note: For High Pressure Sodium or Mercury Vapor, specify "HPS" or "MV" instead of "OMH".



a division of PMC Lighting Inc

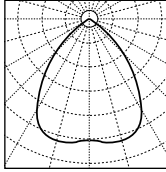
10" APERTURE

MP SERIES COATED LAMPS
OPEN METAL HALIDE ED28
RECESSED MEDIUM DISTRIBUTION

PHOTOMETRICS

CANDELLA
VERT° AT 0°

90	0
85	0
80	0
75	1
70	12
65	100
60	241
55	555
50	1046
45	1818
40	2357
35	3267
30	4127
25	4644
20	4921
15	4998
10	4947
5	4893
0	4893



FOOTLAMBERTS

90°-85°	0
80°-75°	24
70°-65°	158
60°-55°	2423
50°-45°	8523

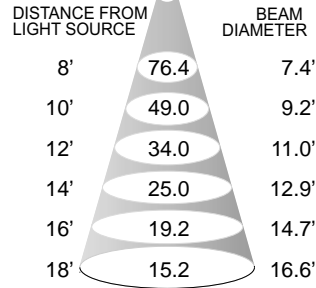
Efficiency: 70.0%
S/MH Ratio: 1.077

Model No. OMH-10-100ED28-CL-120

Coefficients of Utilization-Zonal Cavity

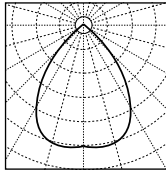
	80%			70%			50%		
	R	C	R	C	R	C	R	C	
1	.79	.77	.76	.78	.76	.74	.73	.72	.71
2	.75	.72	.69	.74	.71	.68	.68	.66	.64
3	.71	.67	.63	.70	.66	.63	.64	.61	.59
4	.67	.62	.58	.66	.61	.57	.60	.56	.54
5	.64	.57	.53	.62	.57	.53	.56	.52	.49
6	.60	.54	.49	.59	.53	.49	.52	.48	.46
7	.57	.50	.45	.56	.49	.45	.48	.45	.42
8	.53	.46	.42	.52	.46	.41	.45	.41	.38
9	.50	.42	.38	.49	.42	.38	.41	.37	.35
10	.47	.39	.35	.46	.39	.34	.38	.34	.32

CONE OF LIGHT
INITIAL NADIR FOOTCANDLES



CANDELLA
VERT° AT 0°

90	0
85	0
80	0
75	2
70	3
65	17
60	147
55	354
50	814
45	1535
40	2375
35	3456
30	4792
25	6053
20	6811
15	7218
10	7330
5	7255
0	7176



FOOTLAMBERTS

90°-85°	0
80°-75°	35
70°-65°	232
60°-55°	3553
50°-45°	12500

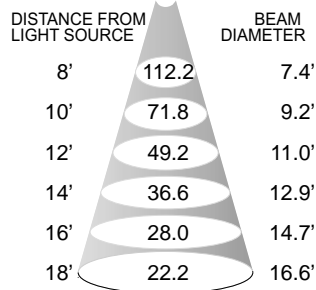
Efficiency: 70.0%
S/MH Ratio: 1.258

Model No. OMH-10-175ED28-CL-120

Coefficients of Utilization-Zonal Cavity

	80%			70%			50%		
	R	C	R	C	R	C	R	C	
1	.79	.77	.76	.78	.76	.74	.73	.72	.71
2	.75	.72	.69	.74	.71	.68	.68	.66	.64
3	.71	.67	.63	.70	.66	.63	.64	.61	.59
4	.67	.62	.58	.66	.61	.57	.60	.56	.54
5	.64	.57	.53	.62	.57	.53	.56	.52	.49
6	.60	.54	.49	.59	.53	.49	.52	.48	.46
7	.57	.50	.45	.56	.49	.45	.48	.45	.42
8	.53	.46	.42	.52	.46	.41	.45	.41	.38
9	.50	.42	.38	.49	.42	.38	.41	.37	.35
10	.47	.39	.35	.46	.39	.34	.38	.34	.32

CONE OF LIGHT
INITIAL NADIR FOOTCANDLES



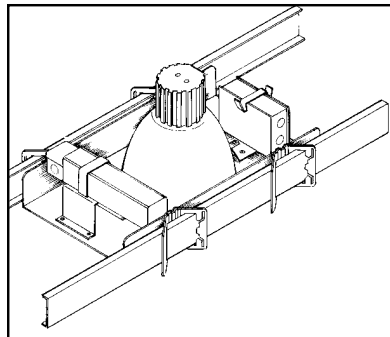
Reflector Conversion

Wheat	.88
Straw	.97
Champagne	.96
Gold	.93
Pewter	.86
Umber	.83
Gun Metal	.75
Micro Baffle	.60

Lamp Conversion Factors

	MH	HPS	MV
100W	.63	1.09	.53
150W	.97	1.25	NA
175W	1.00	1.25	.61

INSTALLATION



Universal mounting brackets are installed on all fixtures. C-Channels (shown) are the preferred system for mounting in Plaster-type ceilings. For T-Bar ceilings and other mounting use BH Hangers or scrap EMT.

Ocean State Lighting has designed this system for sloped ceilings specifically to make installation as easy and rapid as possible. For details consult the factory.



a division of PMC Lighting Inc