

Type

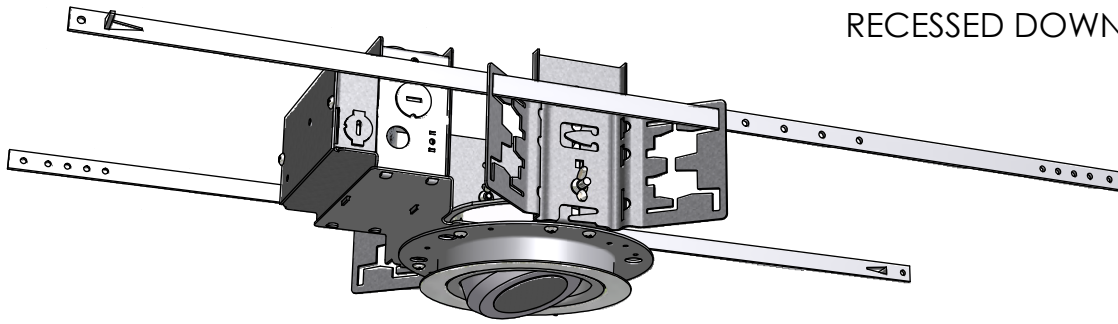
Date

2LE ADJUSTABLE ACCENT

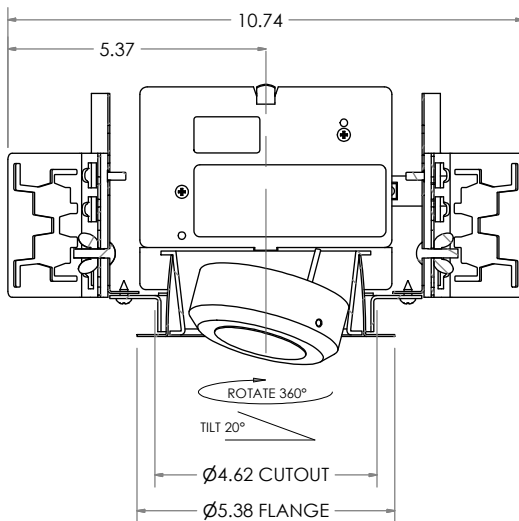
ADJUSTABLE DIRECT LED

RECESSED DOWNLIGHT

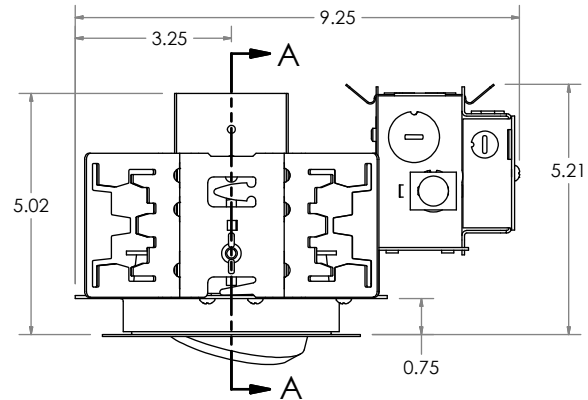
CLARUS™ LED



LED Lamps: Integral to fixture



SECTION A-A



PRODUCT SPECIFICATION DATA:

The latest addition to the PMC Clarus™ line of products, 4" Aperture Adjustable Accent LED Recessed Downlights with a recessed LED Light Engine resembling an MR-16 lamp in both appearance and light output (equivalent light output to 35W and 50W MR-16 lamps in 3 beam spreads).

Low iridescent Alzak® reflector. Trim flange to match reflector finish is standard. Matte white trim or other colors available - consult factory. Capable of mounting in a 1" thick ceiling.

Integral heat sink (extruded aluminum) provides 70% lumen maintenance at 50,000 hours. 14 ga galvanized junction box with snap on covers. Suitable for through wiring (4in/4out) #12 AWG.

Fixture should be installed in applications where ambient temperatures do not exceed 50° C. Factory wired for ease in installation. LED Driver accessible from below ceiling.

Fixtures are UL listed for damp location, and have standard electronic drivers. Each fixture is tested at the factory before shipment.

LUMENS PER WATT			
MODEL	LUMENS*	WATTS	LM/W
500	375	6	62.5
725	680	11	61.8

*ACTUAL LUMENS EXITING FIXTURE ARE AFFECTED BY OPTICAL EFFICIENCY AND MATERIAL REFLECTIVITY

OPTIONS:

Lamp Options:

Fixtures are preconfigured with LED Arrays that produce the following Initial Lumen output of:

- 500 - 500 Initial Lumens
- 725 - 725 Initial Lumens

Reflector Options:

- HZ - Haze Anodized (Standard)
- CL - Clear Anodized
- CA - Champagne Anodized
- GA - Gold Anodized
- GM - Gun Metal Anodized
- PA - Pewter Anodized
- SA - Straw Anodized
- UA - Umber Anodized
- WA - Wheat Anodized
- BLK - Black Painted
- WHT - White Painted

Color Temperature Options:

- CW - Cool White - 4100-5000k
- NW - Neutral White - 3500-3800k (Standard)
- WW - Warm White - 2700-3200k

Beam Spread Options:

- 10° - Equivalent to Spot MR16
- 25° - Equivalent to Narrow Flood MR16
- 36° - Equivalent to Flood MR16

Options:

- (Consult factory for all options)
- DIM - Dimming Driver
 - EM - Emergency Battery Backup
 - GLR - In line fusing

ORDERING INFORMATION

Series	Lumen Output	Reflector	Color Temp	Beam Spread	Voltage	Options
2LE-ACC	500 725 Initial Lumens	HZ Standard CL CA GA GM PA SA UA WA BLK Black Painted WHT White Painted	CW NW Standard WW	10° 25° 36°	120v 277v	(Consult Factory for all Options) DIM EM GLR