

6" APERTURE

INCANDESCENT A19 LAMPS

HORIZONTAL RECESSED DOWNLIGHT

RECESSED INCANDESCENT

OPTIONS:

Lamp Options:

150A19 - 150 Watt A19 (Medium Base)
Maximum Wattage

Reflector Options:

- CL** - Clear Anodized (standard)
- GA** - Gold Anodized
- CA** - Champagne Anodized
- WA** - Wheat Anodized
- SA** - Straw Anodized
- PA** - Pewter Anodized
- GM** - Gun Metal Anodized
- UA** - Umber Anodized
- PW** - Painted White
- PB** - Painted Black

Baffle Options:

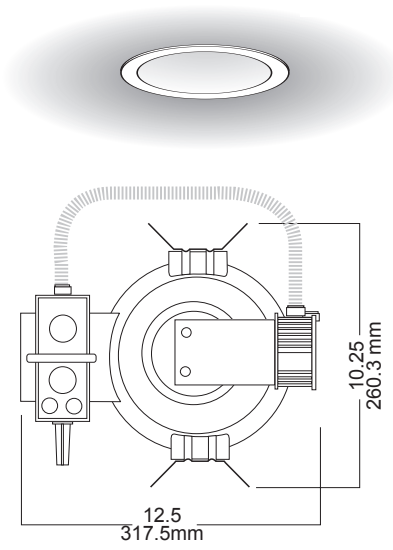
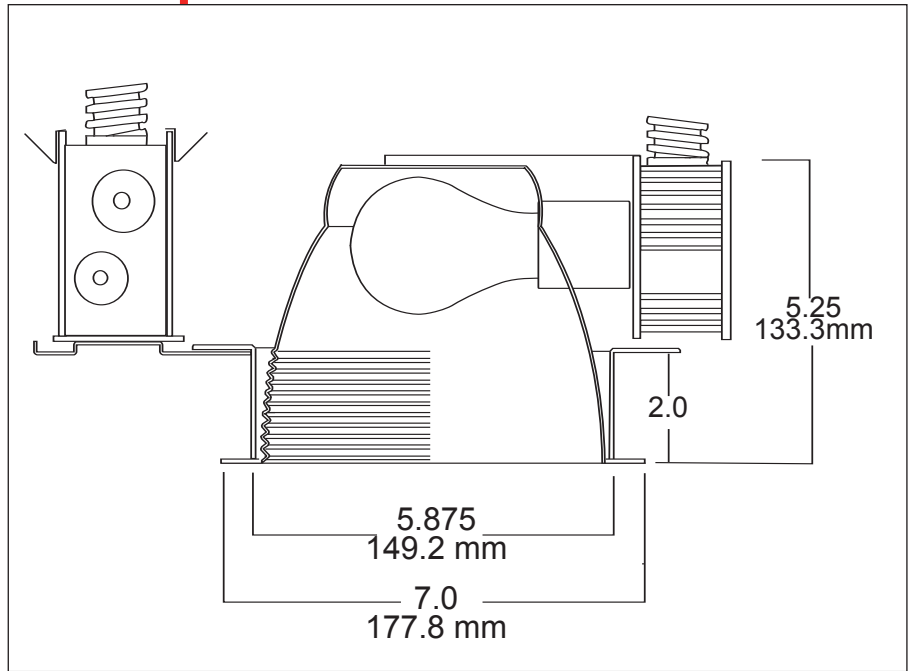
- MB** - Black Micro Baffle
- WB** - White Micro Baffle
- BRB** - Bronze Micro Baffle

Installation Options:

- C** - C Channel Hangers 27" (2)
- BH** - T-Bar Ceiling Hanging Assemblies (2)
- SSA** - Slope Ceiling Adapter (specify degree in 5° increments from 10 - 45°)

Electrical Options:

- 277** - 277 Volt Operation
- GLR** - In Line Fusing



PRODUCT SPECIFICATION DATA:

Low iridescent specular Alzak® reflector. Polished trim flange is standard. Matte white trim or other colors available - consult factory.
Designed for 1 horizontally mounted A19 series lamp. Lamps by others.
Capable of mounting in 2" thick ceiling.
Positive trim retention.
14 Gauge galvanized junction box with snap-on covers.
Suitable for through wiring (4in/4out) #12 AWG.
Factory wired for ease in installation.
UL/CUL Listed / Damp Location.
Chicago Plenum-CCEA - consult factory.

ORDERING INFORMATION

INH- 6- 100A19- - CL- 120-

LIGHT SOURCE	APERTURE	LAMP	BAFFLE	REFLECTOR	VOLTAGE	OPTIONS
INCANDESCENT HORIZONTAL	6	75A19 100A19 150A19	MB WB BR B	CL GA CA WA SA PA GM UA PW PB	120 277	GLR C BH SSA



a division of PMC Lighting Inc

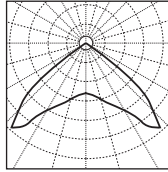
6" APERTURE

INCANDESCENT A19 LAMPS
HORIZONTAL RECESSED DOWNLIGHT

PHOTOMETRICS

CANDEL-LA
VERT° AT 0°

90	0
85	0
80	0
75	0
70	0
65	0
60	0
55	0
50	55
45	110
40	578
35	1046
30	915
25	783
20	666
15	549
10	511
5	473
0	466



FOOTLAMBERTS

90°-85°	0
80°-75°	0
70°-65°	0
60°-55°	0
50°-45°	2489

Efficiency: 63.0%
S/MH Ratio: 1.571

Model No. INH-6-100A19-CL-120

Coefficients of Utilization-Zonal Cavity

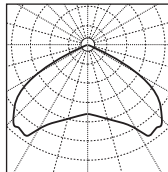
	80%			70%			50%		
	R	C	U	R	C	U	R	C	U
1	.63	.82	.80	.83	.81	.79	.78	.76	.75
2	.84	.76	.73	.78	.75	.72	.72	.70	.68
3	.80	.70	.66	.74	.69	.65	.67	.64	.61
4	.74	.65	.60	.69	.64	.60	.62	.58	.56
5	.71	.59	.55	.65	.59	.54	.57	.53	.50
6	.66	.55	.50	.61	.55	.50	.53	.49	.46
7	.63	.51	.46	.57	.50	.45	.49	.45	.42
8	.58	.46	.41	.53	.46	.41	.45	.40	.37
9	.54	.42	.37	.49	.41	.36	.41	.36	.33
10	.47	.38	.33	.46	.38	.33	.37	.32	.29

CONE OF LIGHT INITIAL NADIR FOOTCANDLES

DISTANCE FROM LIGHT SOURCE	BEAM DIAMETER
8'	9.5
10'	6.2
12'	4.2
14'	3.2
16'	2.4
18'	2.0

CANDEL-LA
VERT° AT 0°

90	0
85	0
80	0
75	0
70	0
65	0
60	7
55	13
50	203
45	392
40	703
35	1013
30	1057
25	1100
20	1000
15	900
10	863
5	826
0	811



FOOTLAMBERTS

90°-85°	0
80°-75°	0
70°-65°	0
60°-55°	432
50°-45°	10556

Efficiency: 63.0%
S/MH Ratio: 1.571

Model No. INH-6-150A19-CL-120

Coefficients of Utilization-Zonal Cavity

	80%			70%			50%		
	R	C	U	R	C	U	R	C	U
1	.71	.69	.68	.70	.68	.67	.65	.64	.63
2	.67	.64	.61	.66	.63	.61	.61	.59	.57
3	.64	.59	.56	.62	.58	.55	.57	.54	.52
4	.60	.55	.51	.59	.54	.50	.52	.49	.47
5	.56	.50	.46	.55	.50	.46	.48	.45	.42
6	.53	.46	.42	.52	.46	.42	.45	.41	.39
7	.49	.43	.38	.48	.42	.38	.41	.38	.35
8	.46	.39	.34	.45	.38	.34	.38	.34	.31
9	.42	.35	.31	.41	.35	.31	.34	.30	.28
10	.39	.32	.28	.38	.32	.27	.31	.27	.25

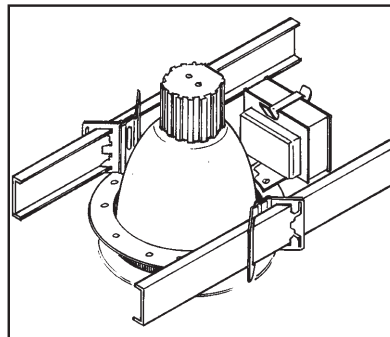
CONE OF LIGHT INITIAL NADIR FOOTCANDLES

DISTANCE FROM LIGHT SOURCE	BEAM DIAMETER
8'	12.6
10'	8.2
12'	5.6
14'	4.2
16'	3.2
18'	2.6

Reflector Conversion Factors:

Straw .97	Pewter .86
Champagne .96	Umber .83
Gold .93	Gun Metal .75
Wheat .88	Micro Baffle .60

INSTALLATION



Universal mounting brackets are installed on all fixtures. C-Channels (shown) are the preferred system for mounting in Plaster-type ceilings. For T-Bar ceilings and other mounting use BH Hangers or scrap EMT.

Ocean State Lighting has designed this system for sloped ceilings specifically to make installation as easy and rapid as possible. For details consult the factory.



a division of PMC Lighting Inc