

6" APERTURE INCANDESCENT A19 LAMPS RECESSED DOWNLIGHT

RECESSED INCANDESCENT

OPTIONS:

Lamp Options:

150A21 - 150 Watt A21 (Medium Base)
Maximum Wattage

Reflector Options:

CL - Clear Anodized (standard)
GA - Gold Anodized
CA - Champagne Anodized
WA - Wheat Anodized
SA - Straw Anodized
PA - Pewter Anodized
GM - Gun Metal Anodized
UA - Umber Anodized
PW - Painted White
PB - Painted Black

Baffle Options:

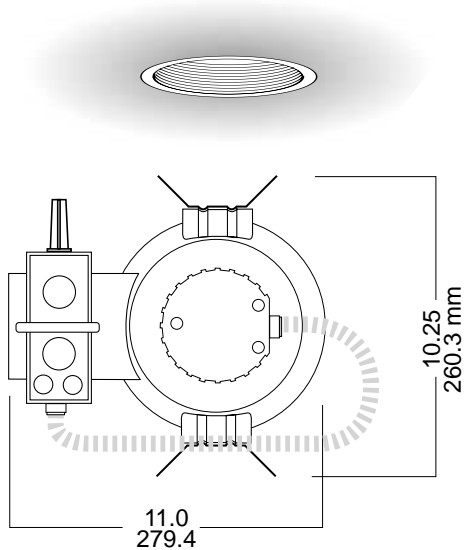
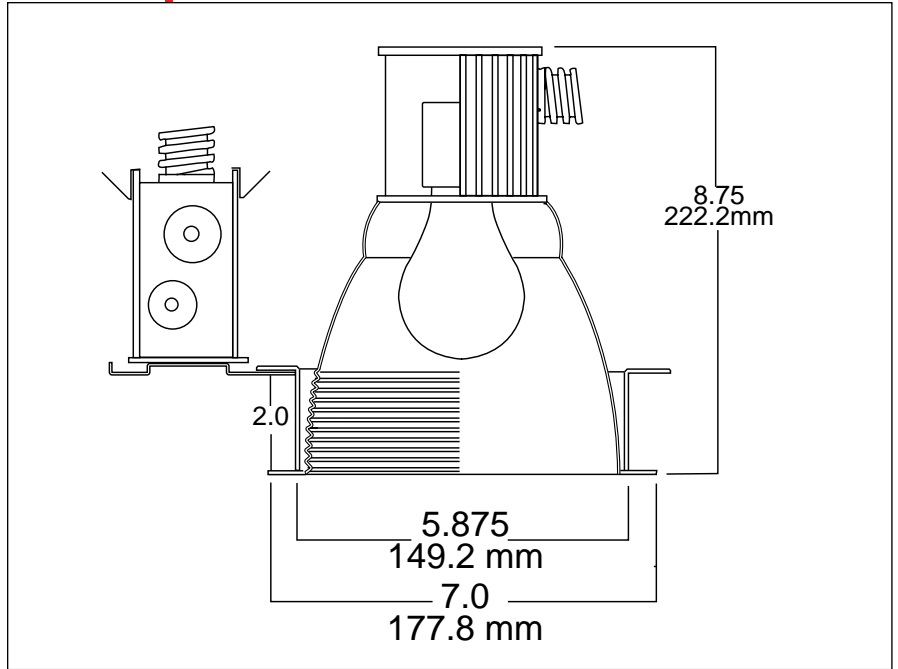
MB - Black Micro Baffle
WB - White Micro Baffle
BRB - Bronze Micro Baffle

Installation Options:

C - C Channel Hangers 27" (2)
BH - T-Bar Ceiling Hanging Assemblies (2)
SSA - Slope Ceiling Adapter (specify degree in 5° increments from 10 - 45°)

Electrical Options:

277 - 277 Volt Operation
GLR - In Line Fusing



PRODUCT SPECIFICATION DATA:

Low iridescent specular Alzak® reflector. Polished trim flange is standard. Matte white trim or other colors available - consult factory.
Designed for 1 vertical A19/A21 series lamp.
Lamps by others.
Capable of mounting in 2" thick ceiling.
Positive trim retention.
14 Gauge galvanized junction box with snap-on covers.
Suitable for through wiring (4in/4out) #12 AWG.
Factory wired for ease in installation.
UL/CUL Listed / Damp Location.
Chicago Plenum-CCEA - consult factory.

ORDERING INFORMATION

IN- 6- 100A19- - CL- 120-

LIGHT SOURCE	APERTURE	LAMP	BAFFLE	REFLECTOR	VOLTAGE	OPTIONS
INCANDESCENT		60A19 100A19 150A21	MB WB BR B	CL GA CA WA SA PA GM UA PW PB	120 277	GLR C BH SSA



a division of PMC Lighting Inc

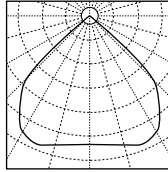
6" APERTURE

INCANDESCENT A19 LAMPS
RECESSED DOWNLIGHT

PHOTOMETRICS

CANDEL-LA

VERT° AT 0°	0
90	0
85	0
80	0
75	0
70	1
65	1
60	4
55	7
50	90
45	172
40	613
35	1054
30	1260
25	1465
20	1475
15	1484
10	1446
5	1408
0	1369



FOOTLAMBERTS

90°-85°	0
80°-75°	0
70°-65°	38
60°-55°	195
50°-45°	3892

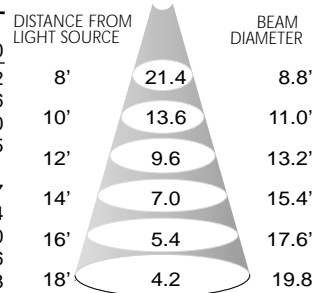
Efficiency: 70.7%
S/MH Ratio: 1.289

Model No. IN-6-150A19-CL-120

Coefficients of Utilization-Zonal Cavity

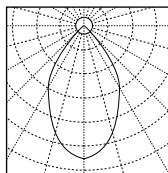
	80%			70%			50%		
	R	C	R	C	R	C	R	C	
1	.80	.78	.77	.79	.77	.75	.74	.70	.72
2	.76	.73	.70	.75	.72	.69	.70	.66	.66
3	.72	.68	.64	.71	.67	.64	.65	.61	.60
4	.69	.63	.59	.67	.62	.59	.61	.57	.55
5	.65	.59	.55	.64	.58	.54	.57	.53	.51
6	.61	.55	.51	.60	.55	.50	.53	.49	.47
7	.58	.51	.47	.57	.51	.47	.50	.46	.44
8	.54	.47	.43	.54	.47	.43	.46	.42	.40
9	.51	.44	.39	.50	.43	.39	.43	.38	.36
10	.48	.40	.36	.47	.40	.36	.39	.33	.33

CONE OF LIGHT
INITIAL NADIR FOOTCANDLES



CANDEL-LA

VERT° AT 0°	0
90	0
85	0
80	0
75	0
70	0
65	1
60	1
55	2
50	18
45	34
40	244
35	454
30	657
25	859
20	959
15	1058
10	1158
5	1257
0	1337



FOOTLAMBERTS

90°-85°	0
80°-75°	0
70°-65°	0
60°-55°	66
50°-45°	916

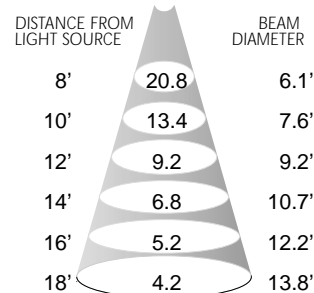
Efficiency: 39.7%
S/MH Ratio: 1.289

Model No. IN-6-150A19-MB-CL-120

Coefficients of Utilization-Zonal Cavity

	80%			70%			50%		
	R	C	R	C	R	C	R	C	
1	.45	.44	.43	.44	.43	.43	.42	.41	.41
2	.43	.41	.40	.42	.41	.39	.40	.38	.37
3	.41	.39	.37	.40	.38	.37	.37	.36	.35
4	.39	.36	.34	.39	.36	.34	.35	.34	.32
5	.37	.34	.32	.37	.34	.32	.33	.31	.30
6	.36	.32	.30	.35	.32	.30	.31	.30	.28
7	.34	.31	.28	.33	.30	.28	.30	.28	.27
8	.32	.29	.26	.32	.28	.26	.28	.26	.25
9	.30	.27	.24	.30	.26	.24	.26	.24	.23
10	.29	.25	.23	.28	.25	.23	.24	.22	.21

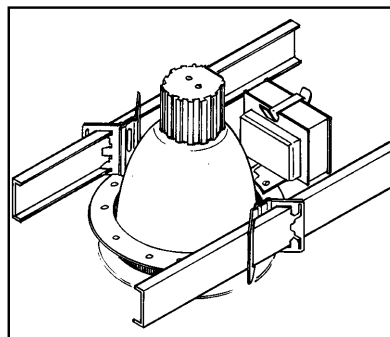
CONE OF LIGHT
INITIAL NADIR FOOTCANDLES



Reflector Conversion Factors:

Straw .97	Pewter .86
Champagne .96	Umber .83
Gold .93	Gun Metal .75
Wheat .88	Micro Baffle .60

INSTALLATION



Universal mounting brackets are installed on all fixtures. C-Channels (shown) are the preferred system for mounting in Plaster-type ceilings. For T-Bar ceilings and other mounting use BH Hangers or scrap EMT.

Ocean State Lighting has designed this system for sloped ceilings specifically to make installation as easy and rapid as possible. For details consult the factory.



a division of PMC Lighting Inc