

4" APERTURE INCANDESCENT A19 LAMPS RECESSED DOWNLIGHT

RECESSED INCANDESCENT

OPTIONS:

Lamp Options:

100A19 - 100 Watt A19 (Medium Base)
Maximum Wattage

Reflector Options:

- CL** - Clear Anodized(Standard)
- GA** - Gold Anodized
- CA** - Champagne Anodized
- WA** - Wheat Anodized
- SA** - Straw Anodized
- PA** - Pewter Anodized
- GM** - Gun Metal Anodized
- UA** - Umber Anodized
- PW** - Painted White
- PB** - Painted Black

Baffle Options:

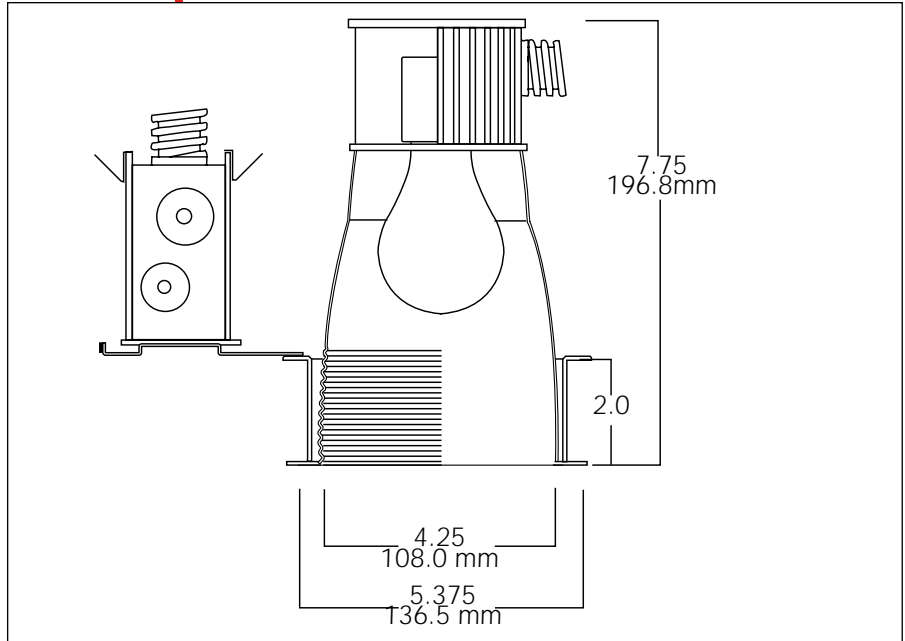
- MB** - Black Micro Baffle
- WB** - White Micro Baffle
- BRB** - Bronze Micro Baffle

Installation Options:

- C** - C Channel Hangers 27" (2)
- BH** - T-Bar Ceiling Hanging Assemblies (2)
- SSA** - Slope Ceiling Adapter (specify degree in 5° increments from 10 - 45°)

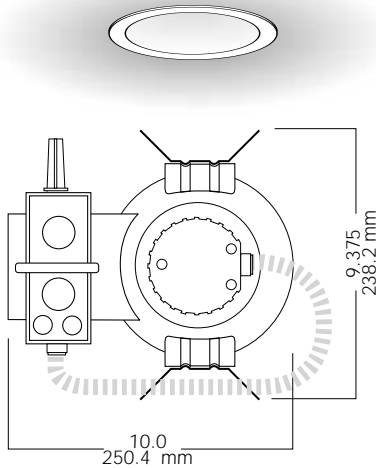
Electrical Options:

- 277** - 277 Volt Operation
- GLR** - In Line Fusing



PRODUCT SPECIFICATION DATA:

Low iridescent specular Alzak® reflector.
Designed for 1 vertical A19 series lamp.
Lamps by others.
Heat sink extruded aluminum socket housing.
Pulse-rated porcelain socket.
Capable of mounting in 2" thick ceiling.
Positive trim retention.
Thermal protection.
14 Gauge galvanized junction box with snap-on covers.
Suitable for through wiring (4in/4out) #12 AWG.
Factory wired for ease in installation.
ETL/CSA Listed / Damp Location.
Chicago Plenum-CCEA - consult factory.



ORDERING INFORMATION

IN-	4-	100A19-	-	CL-	120-	
LIGHT SOURCE	APERTURE	LAMP	BAFFLE	REFLECTOR	VOLTAGE	OPTIONS
INCANDESCENT		60A19 75A19 100A19	MB WB BR B	CL GA CA WA SA PA GM UA PW PB	120 277	GLR C BH SSA



a division of PMC Lighting Inc

4" APERTURE

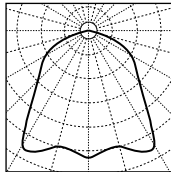
INCANDESCENT A19 LAMPS

RECESSED DOWNLIGHT

PHOTOMETRICS

CANDELLA
VERT° AT 0°

90	0
85	0
80	0
75	0
70	1
65	1
60	3
55	4
50	74
45	143
40	187
35	231
30	335
25	439
20	425
15	411
10	425
5	438
0	439



FOOTLAMBERTS

90°-85°	0
80°-75°	0
70°-65°	71
60°-55°	210
50°-45°	6086

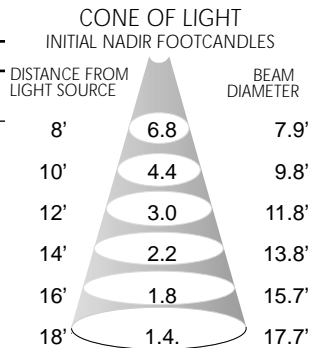
Efficiency:
52.3%

S/MH Ratio:
1.151

Model No. IN-4-75A19-CL-120

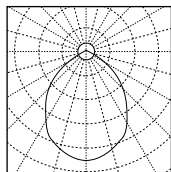
Coefficients of Utilization-Zonal Cavity

	80%			70%			50%		
	R	C	U	R	C	U	R	C	U
1	.59	.58	.56	.58	.57	.55	.55	.54	.53
2	.56	.54	.52	.55	.53	.51	.51	.49	.48
3	.53	.50	.47	.52	.49	.47	.48	.46	.44
4	.50	.46	.43	.49	.46	.43	.44	.42	.40
5	.47	.43	.40	.46	.42	.39	.41	.39	.37
6	.45	.40	.37	.44	.39	.36	.39	.36	.34
7	.42	.37	.34	.41	.36	.33	.36	.33	.31
8	.39	.34	.30	.39	.34	.30	.33	.30	.28
9	.37	.31	.28	.36	.31	.27	.30	.27	.25
10	.34	.28	.25	.34	.28	.25	.28	.25	.23



CANDELLA
VERT° AT 0°

90	0
85	0
80	0
75	0
70	0
65	0
60	13
55	25
50	55
45	85
40	112
35	138
30	165
25	192
20	218
15	243
10	253
5	263
0	278



FOOTLAMBERTS

90°-85°	0
80°-75°	0
70°-65°	0
60°-55°	1785
50°-45°	4924

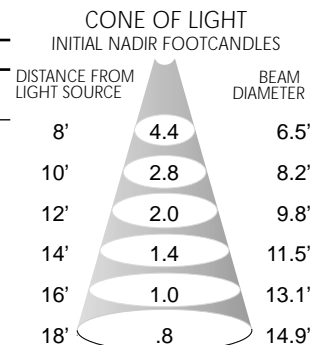
Efficiency:
30.3%

S/MH Ratio:
.956

Model No. IN-4-75A19-MB-CL-120

Coefficients of Utilization-Zonal Cavity

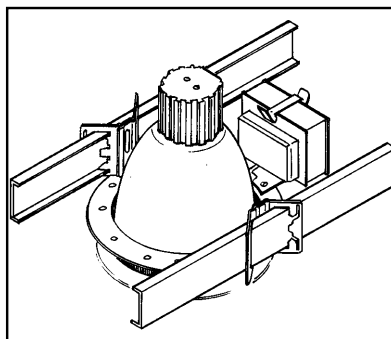
	80%			70%			50%		
	R	C	U	R	C	U	R	C	U
1	.34	.33	.33	.34	.33	.32	.32	.31	.30
2	.32	.31	.30	.32	.30	.29	.29	.28	.28
3	.31	.29	.27	.30	.28	.27	.27	.26	.25
4	.29	.26	.24	.28	.26	.24	.25	.24	.23
5	.27	.24	.22	.26	.24	.22	.23	.22	.20
6	.25	.22	.20	.25	.22	.20	.22	.20	.19
7	.24	.21	.19	.23	.20	.18	.20	.18	.17
8	.22	.19	.17	.22	.19	.17	.18	.16	.15
9	.21	.17	.15	.20	.17	.15	.17	.15	.14
10	.19	.16	.14	.19	.16	.14	.15	.14	.12



Reflector Conversion Factors:

Straw .97	Pewter .86
Champagne .96	Umber .83
Gold .93	Gun Metal .75
Wheat .88	Micro Baffle .60

INSTALLATION



Universal mounting brackets are installed on all fixtures. C-Channels (shown) are the preferred system for mounting in Plaster-type ceilings. For T-Bar ceilings and other mounting use BH Hangers or scrap EMT.

Ocean State Lighting has designed this system for sloped ceilings specifically to make installation as easy and rapid as possible. For details consult the factory.



a division of PMC Lighting Inc