

# 6" APERTURE

INCANDESCENT PAR30 / PAR38 LAMPS  
 ADJUSTABLE RECESSED DOWNLIGHT  
 355° ROTATION 45° TILT

**OPTIONS:**

**Lamp Options:**

**150PAR38** - 150 Watt PAR38 (Medium Base) Maximum Wattage

**Reflector Options:**

- CL** - Clear Anodized (standard)
- GA** - Gold Anodized
- CA** - Champagne Anodized
- WA** - Wheat Anodized
- SA** - Straw Anodized
- PA** - Pewter Anodized
- GM** - Gun Metal Anodized
- UA** - Umber Anodized
- PW** - Painted White
- PB** - Painted Black

**Baffle Options:**

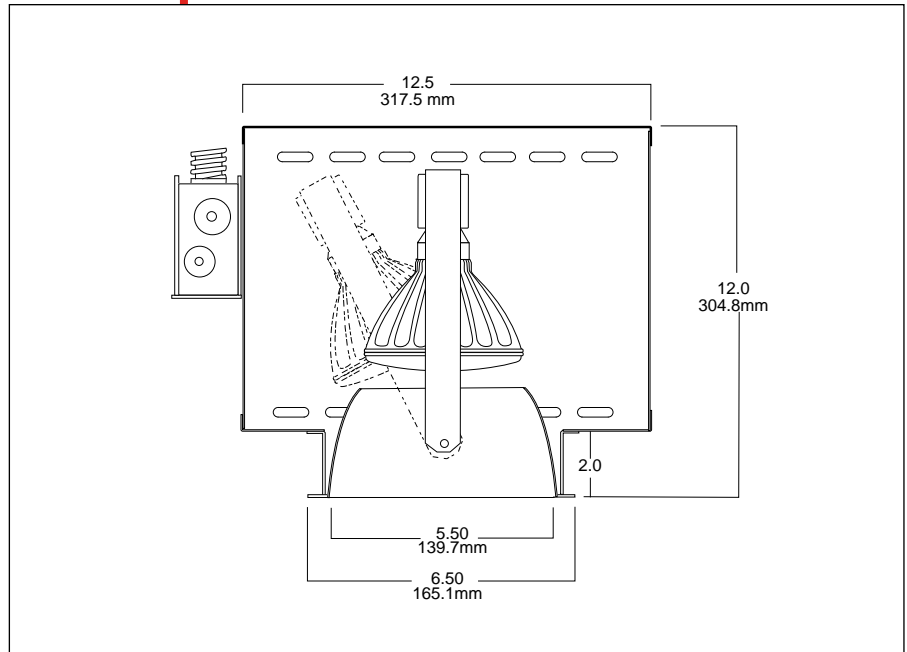
- MB** - Black Micro Baffle
- WB** - White Micro Baffle
- BRB** - Bronze Micro Baffle

**Installation Options:**

- C** - C Channel Hangers 27" (2)
- BH** - T-Bar Ceiling Hanging Assemblies (2)

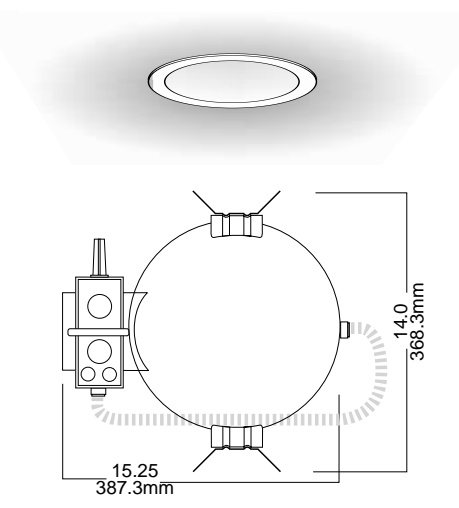
**Electrical Options:**

- 277** - 277 Volt Operation
- GLR** - In Line Fusing



**PRODUCT SPECIFICATION DATA:**

Low iridescent specular Alzak® reflector.  
 Designed for 1 vertical PAR30 or PAR38 series lamp.  
 Lamps by others.  
 Pulse-rated porcelain socket.  
 Capable of mounting in 2" thick ceiling.  
 Positive trim retention.  
 Thermal protection.  
 14 Gauge galvanized junction box with snap-on covers.  
 Suitable for through wiring (4in/4out) #12 AWG.  
 Factory wired for ease in installation.  
 ETL/CSA Listed / Damp Location.  
 Chicago Plenum-CCEA - consult factory.



**ORDERING INFORMATION**

IN-ADJ- 6- 150PAR38- CL - 120-

LIGHT SOURCE	APERTURE	LAMP	REFLECTOR OR BAFFLE	VOLTAGE	OPTIONS
INCANDESCENT ADJUSTABLE		50PAR30 75PAR30 60PAR38 100PAR38	CL GA CA WA SA PA GM UA PW PB	120 277	GLR C BH



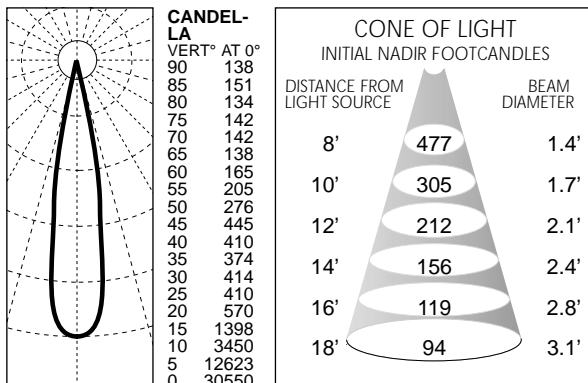
a division of PMC Lighting Inc

# 6" APERTURE

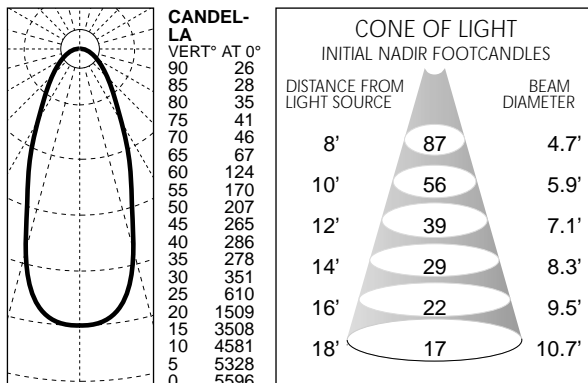
INCANDESCENT PAR30 / PAR38 LAMPS  
 ADJUSTABLE RECESSED DOWNLIGHT  
 355° ROTATION 45° TILT

## PHOTOMETRICS

**Model No. IN-ADJ-6-100PAR38SPL-CL-120**



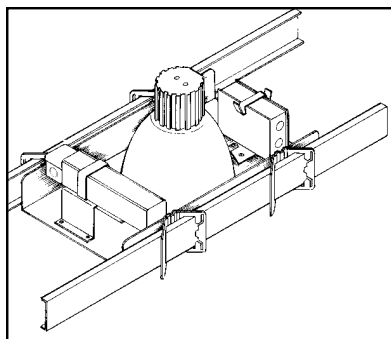
**Model No. IN-ADJ-6-100PAR38FL-CL-120**



**Reflector Conversion Factors:**

Straw .97	Pewter .86
Champagne .96	Umber .83
Gold .93	Gun Metal .75
Wheat .88	Micro Baffle .60

## INSTALLATION



Universal mounting brackets are installed on all fixtures. C-Channels (shown) are the preferred system for mounting in Plaster-type ceilings. For T-Bar ceilings and other mounting use BH Hangers or scrap EMT.

Ocean State Lighting has designed this system for sloped ceilings specifically to make installation as easy and rapid as possible. For details consult the factory.



a division of PMC Lighting Inc