

# 8" APERTURE INCANDESCENT A21 LAMPS HORIZONTAL RECESSED DOWNLIGHT

RECESSED INCANDESCENT

## OPTIONS:

### Lamp Options:

**200A21** - 200 Watt A21 (Medium Base)  
Maximum Wattage

### Reflector Options:

**CL** - Clear Anodized (standard)  
**GA** - Gold Anodized  
**CA** - Champagne Anodized  
**WA** - Wheat Anodized  
**SA** - Straw Anodized  
**PA** - Pewter Anodized  
**GM** - Gun Metal Anodized  
**UA** - Umber Anodized  
**PW** - Painted White  
**PB** - Painted Black

### Baffle Options:

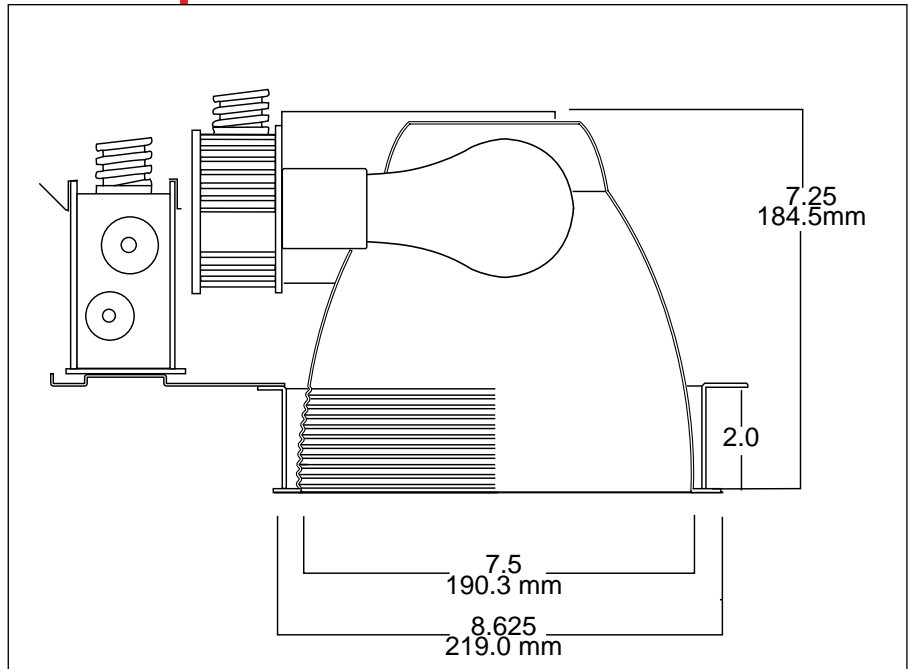
**MB** - Black Micro Baffle  
**WB** - White Micro Baffle  
**BRB** - Bronze Micro Baffle

### Installation Options:

**C** - C Channel Hangers 27" (2)  
**BH** - T-Bar Ceiling Hanging Assemblies (2)  
**SSA** - Slope Ceiling Adapter (specify degree in 5° increments from 10 - 45°)

### Electrical Options:

**277** - 277 Volt Operation  
**GLR** - In Line Fusing



## PRODUCT SPECIFICATION DATA:

Low iridescent specular Alzak® reflector. Polished trim flange is standard. Matte white trim or other colors available - consult factory.

Designed for 1 horizontally mounted A21 series lamp. Lamps by others.

Capable of mounting in 2" thick ceiling.

Positive trim retention.

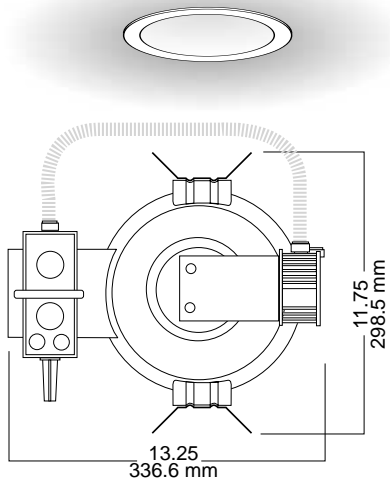
14 Gauge galvanized junction box with snap-on covers.

Suitable for through wiring (4in/4out) #12 AWG.

Factory wired for ease in installation.

UL/CUL Listed / Damp Location.

Chicago Plenum-CCEA - consult factory.



## ORDERING INFORMATION

INH-		8-	100A21-	-	CL-	120-	
LIGHT SOURCE		APERTURE	LAMP	BAFFLE	REFLECTOR	VOLTAGE	OPTIONS
INCANDESCENT HORIZONTAL			100A21 150A21 200A21	MB WB BR B	CL GA CA WA SA PA GM UA PW PB	120 277	GLR C BH SSA



a division of PMC Lighting Inc

100 Gilbane Street / Warwick, RI 02886 • 401.738.4963 FAX.401.738.0618

www.oceanstatelighting.com

IN-13

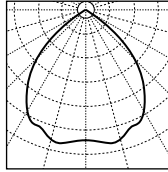
# 8" APERTURE

INCANDESCENT A21 LAMPS  
HORIZONTAL RECESSED DOWNLIGHT

## PHOTOMETRICS

**CANDEL-LA**  
VERT° AT 0°

90	1
85	3
80	3
75	3
70	4
65	4
60	6
55	8
50	37
45	66
40	434
35	802
30	1244
25	1685
20	1837
15	1989
10	1965
5	1941
0	1938



**FOOTLAMBERTS**

90°-85°	59
80°-75°	73
70°-65°	88
60°-55°	107
50°-45°	727

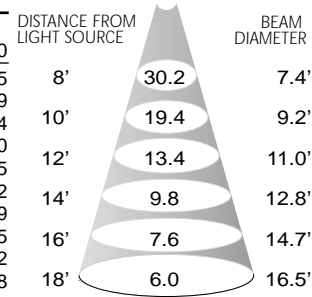
**Efficiency:**  
74.0%  
**S/MH Ratio: 1.00**

### Model No. INH-8-150A21-CL-120

Coefficients of Utilization-Zonal Cavity

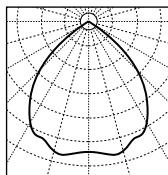
	80%			70%			50%		
	R	C	U	R	C	U	R	C	U
1	.84	.82	.80	.82	.81	.79	.78	.76	.75
2	.80	.77	.74	.79	.76	.73	.73	.71	.69
3	.76	.72	.69	.75	.71	.68	.69	.66	.64
4	.73	.67	.64	.71	.67	.63	.65	.62	.60
5	.69	.63	.59	.68	.63	.59	.61	.58	.55
6	.66	.60	.56	.65	.59	.55	.58	.55	.52
7	.63	.56	.52	.62	.56	.52	.55	.51	.49
8	.59	.53	.48	.59	.52	.48	.51	.48	.45
9	.56	.49	.45	.55	.49	.45	.48	.44	.42
10	.53	.46	.41	.52	.45	.41	.45	.41	.38

### CONE OF LIGHT INITIAL NADIR FOOTCANDLES



**CANDEL-LA**  
VERT° AT 0°

90	1
85	1
80	2
75	2
70	3
65	4
60	6
55	8
50	38
45	67
40	470
35	872
30	1485
25	2098
20	2369
15	2640
10	2734
5	2828
0	2820



**FOOTLAMBERTS**

90°-85°	79
80°-75°	97
70°-65°	117
60°-55°	143
50°-45°	970

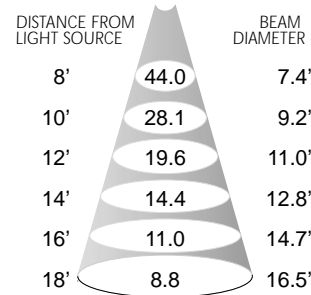
**Efficiency:**  
74.0%  
**S/MH Ratio: 1.00**

### Model No. INH-8-200A21-CL-120

Coefficients of Utilization-Zonal Cavity

	80%			70%			50%		
	R	C	U	R	C	U	R	C	U
1	.78	.76	.74	.76	.74	.73	.72	.71	.70
2	.74	.71	.69	.73	.70	.68	.68	.66	.64
3	.71	.67	.64	.70	.66	.63	.64	.62	.60
4	.67	.63	.59	.66	.62	.59	.61	.58	.56
5	.64	.59	.55	.63	.58	.55	.57	.54	.52
6	.61	.56	.52	.61	.55	.52	.54	.51	.49
7	.59	.53	.49	.58	.52	.49	.52	.48	.46
8	.56	.50	.46	.55	.49	.46	.48	.45	.43
9	.53	.46	.43	.52	.46	.42	.45	.42	.40
10	.50	.43	.40	.49	.43	.39	.42	.39	.37

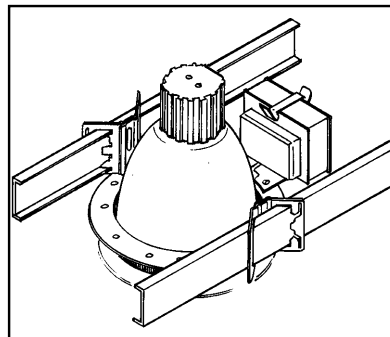
### CONE OF LIGHT INITIAL NADIR FOOTCANDLES



#### Reflector Conversion Factors:

Straw .97	Pewter .86
Champagne .96	Umber .83
Gold .93	Gun Metal .75
Wheat .88	Micro Baffle .60

## INSTALLATION



Universal mounting brackets are installed on all fixtures. C-Channels (shown) are the preferred system for mounting in Plaster-type ceilings. For T-Bar ceilings and other mounting use BH Hangers or scrap EMT.

Ocean State Lighting has designed this system for sloped ceilings specifically to make installation as easy and rapid as possible. For details consult the factory.



a division of PMC Lighting Inc