

8" APERTURE INCANDESCENT A21 LAMPS RECESSED DOWNLIGHT

RECESSED INCANDESCENT

OPTIONS:

Lamp Options:

200A21 - 200 Watt A21 (Medium Base)
Maximum Wattage

Reflector Options:

CL - Clear Anodized (standard)
GA - Gold Anodized
CA - Champagne Anodized
WA - Wheat Anodized
SA - Straw Anodized
PA - Pewter Anodized
GM - Gun Metal Anodized
UA - Umber Anodized
PW - Painted White
PB - Painted Black

Baffle Options:

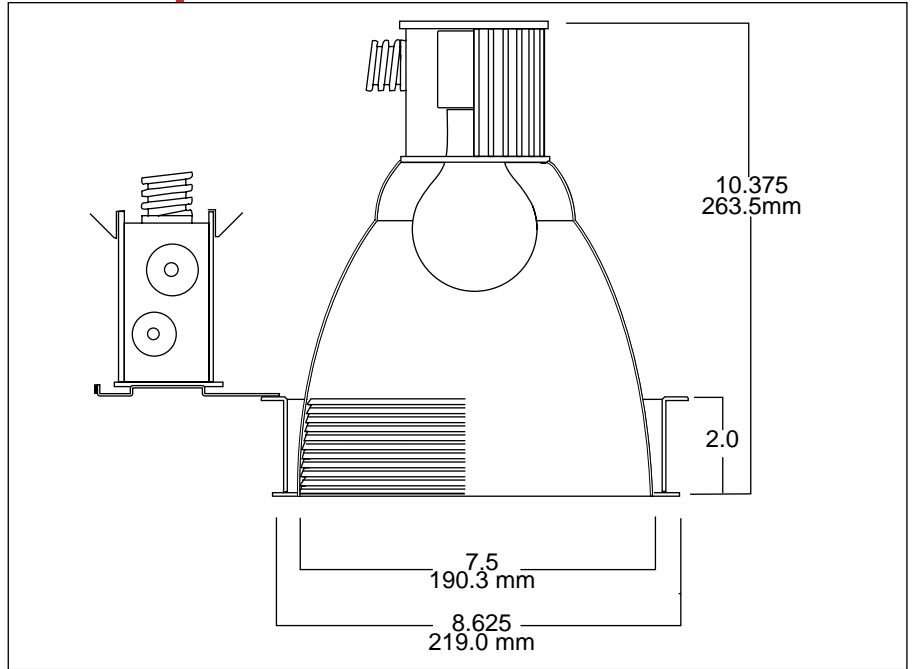
MB - Black Micro Baffle
WB - White Micro Baffle
BRB - Bronze Micro Baffle

Installation Options:

C - C Channel Hangers 27" (2)
BH - T-Bar Ceiling Hanging Assemblies (2)
SSA - Slope Ceiling Adapter (specify degree in 5° increments from 10 - 45°)

Electrical Options:

277 - 277 Volt Operation
GLR - In Line Fusing



PRODUCT SPECIFICATION DATA:

Low iridescent specular Alzak® reflector. Polished trim flange is standard. Matte white trim or other colors available - consult factory.

Designed for 1 vertically mounted A21 series lamp.

Lamps by others.

Capable of mounting in 2" thick ceiling.

Positive trim retention.

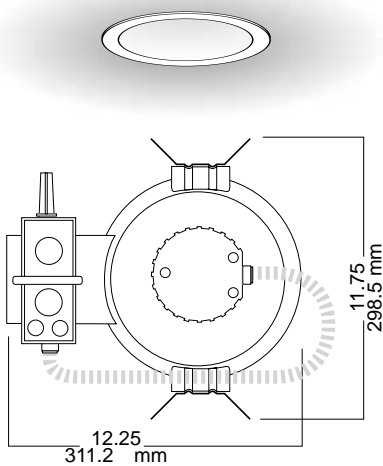
14 Gauge galvanized junction box with snap-on covers.

Suitable for through wiring (4in/4out) #12 AWG.

Factory wired for ease in installation.

UL/CUL Listed / Damp Location.

Chicago Plenum-CCEA - consult factory.



ORDERING INFORMATION

IN- 8- 100A21- - CL- 120-

LIGHT SOURCE	APERTURE	LAMP	BAFFLE	REFLECTOR	VOLTAGE	OPTIONS
INCANDESCENT	8	100A21 150A21 200A21	MB WB BR B	CL GA CA WA SA PA GM UA PW PB	120 277	GLR C BH SSA



a division of PMC Lighting Inc

100 Gilbane Street / Warwick, RI 02886 • 401.738.4963 FAX.401.738.0618

www.oceanstatelighting.com

IN-11

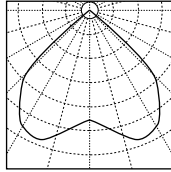
8" APERTURE

INCANDESCENT A21 LAMPS
RECESSED DOWNLIGHT

PHOTOMETRICS

CANDEL-LA
VERT° AT 0°

90	0
85	0
80	0
75	0
70	0
65	0
60	1
55	2
50	109
45	216
40	834
35	1451
30	1806
25	2161
20	2164
15	2166
10	2009
5	1851
0	1779



FOOTLAMBERTS

90°-85°	0
80°-75°	0
70°-65°	0
60°-55°	37
50°-45°	3231

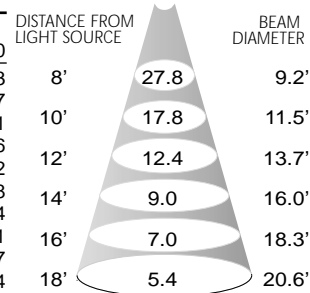
Efficiency: 71.6%
S/MH Ratio: 1.338

Model No. IN-8-200A21-CL-120

Coefficients of Utilization-Zonal Cavity

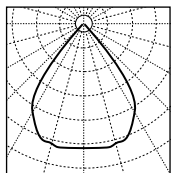
	80%			70%			50%		
	R	C	U	R	C	U	R	C	U
1	.80	.80	.78	.80	.78	.76	.75	.74	.73
2	.74	.74	.71	.76	.73	.70	.71	.68	.67
3	.69	.69	.65	.72	.68	.65	.66	.63	.61
4	.64	.64	.60	.68	.63	.60	.62	.59	.56
5	.60	.60	.56	.65	.59	.55	.58	.54	.52
6	.56	.56	.52	.61	.55	.51	.54	.51	.48
7	.52	.52	.48	.58	.52	.48	.51	.47	.44
8	.48	.48	.44	.55	.48	.44	.47	.43	.41
9	.45	.45	.40	.51	.44	.40	.44	.40	.37
10	.41	.41	.37	.48	.41	.37	.40	.36	.34

CONE OF LIGHT
INITIAL NADIR FOOTCANDLES



CANDELLA
VERT° AT 0°

90	0
85	0
80	0
75	0
70	0
65	0
60	1
55	1
50	32
45	62
40	354
35	645
30	1251
25	1857
20	2075
15	2293
10	2385
5	2477
0	2528



FOOTLAMBERTS

90°-85°	0
80°-75°	0
70°-65°	0
60°-55°	22
50°-45°	1108

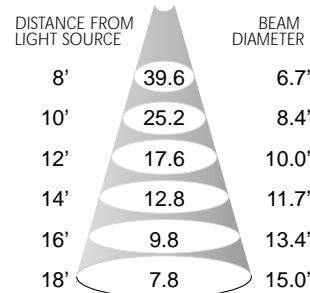
Efficiency: 55.8%
S/MH Ratio: .977

Model No. IN-8-200A21-MB-CL-120

Coefficients of Utilization-Zonal Cavity

	80%			70%			50%		
	R	C	U	R	C	U	R	C	U
1	.64	.62	.61	.62	.61	.60	.59	.58	.57
2	.61	.59	.57	.60	.58	.56	.56	.54	.53
3	.58	.55	.53	.57	.54	.52	.53	.51	.50
4	.56	.52	.49	.55	.51	.49	.50	.48	.46
5	.53	.49	.46	.52	.48	.46	.47	.45	.43
6	.51	.46	.43	.50	.46	.43	.45	.43	.41
7	.49	.44	.41	.48	.43	.41	.43	.40	.38
8	.46	.41	.38	.45	.41	.38	.40	.38	.36
9	.44	.39	.36	.43	.38	.35	.38	.35	.33
10	.41	.36	.33	.41	.36	.33	.35	.33	.31

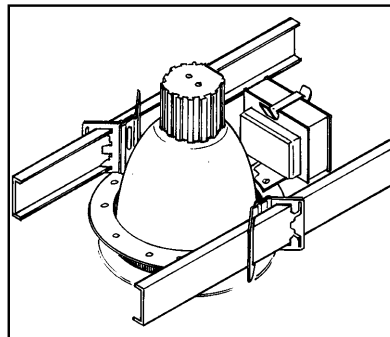
CONE OF LIGHT
INITIAL NADIR FOOTCANDLES



Reflector Conversion Factors:

Straw .97	Pewter .86
Champagne .96	Umber .83
Gold .93	Gun Metal .75
Wheat .88	Micro Baffle .60

INSTALLATION



Universal mounting brackets are installed on all fixtures. C-Channels (shown) are the preferred system for mounting in Plaster-type ceilings. For T-Bar ceilings and other mounting use BH Hangers or scrap EMT.

Ocean State Lighting has designed this system for sloped ceilings specifically to make installation as easy and rapid as possible. For details consult the factory.



a division of PMC Lighting Inc