

6" APERTURE

INCANDESCENT PAR30 / PAR38 LAMPS RECESSED DOWNLIGHT

OPTIONS:

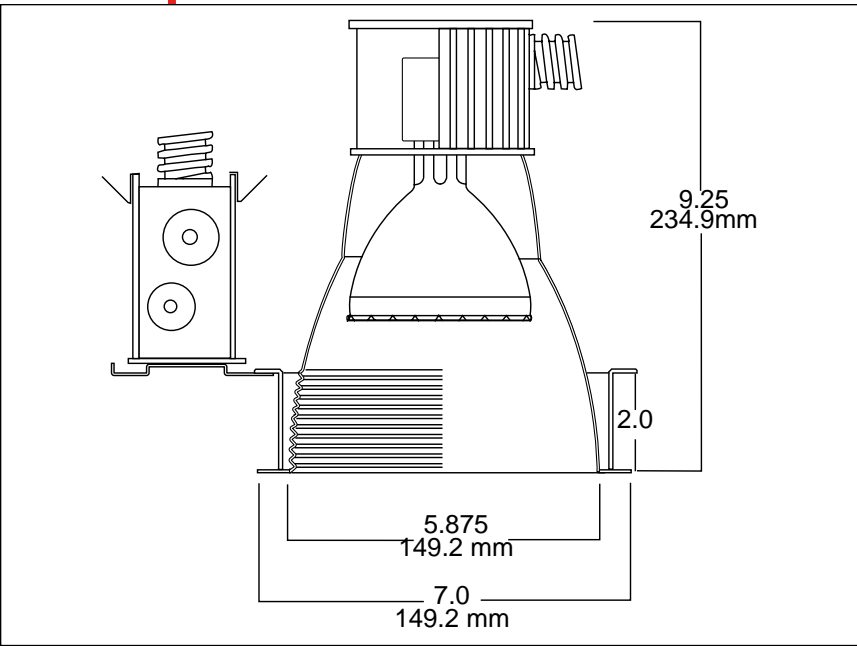
Lamp Options:
150PAR38 - 150 Watt PAR38 (Medium Base) Maximum Wattage

Reflector Options:
CL - Clear Anodized(Standard)
GA - Gold Anodized
CA - Champagne Anodized
WA - Wheat Anodized
SA - Straw Anodized
PA - Pewter Anodized
GM - Gun Metal Anodized
UA - Umber Anodized
PW - Painted White
PB - Painted Black

Baffle Option:
MB - Black Micro Baffle
WB - White Micro Baffle
BRB - Bronze Micro Baffle

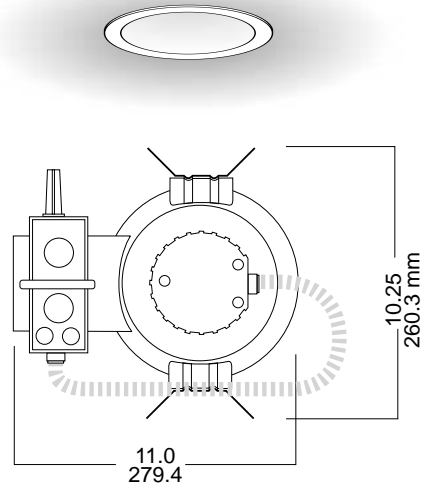
Installation Options:
C - C Channel Hangers 27" (2)
BH - T-Bar Ceiling Hanging Assemblies (2)
SSA - Slope Ceiling Adapter (specify degree in 5° increments from 10 - 45°)

Electrical Options:
277 - 277 Volt Operation
GLR - In Line Fusing



PRODUCT SPECIFICATION DATA:

Low iridescent specular Alzak® reflector. Polished trim flange is standard. Matte white trim or other colors available - consult factory.
 Designed for 1 vertically mounted PAR30 or PAR38 series lamp.
 Lamps by others.
 Capable of mounting in 2" thick ceiling.
 Positive trim retention.
 14 Gauge galvanized junction box with snap-on covers.
 Suitable for through wiring (4in/4out) #12 AWG.
 Factory wired for ease in installation.
 ETL/CSA Listed / Damp Location.
 Chicago Plenum-CCEA - consult factory.



ORDERING INFORMATION

INP- 6- 50PAR30- - CL- 120-						
LIGHT SOURCE	APERTURE	LAMP	BAFFLE	REFLECTOR	VOLTAGE	OPTIONS
INCANDESCENT PAR LAMP		50PAR30 75PAR30 90PAR38 150PAR38	MB WB BR B	CL GA CA WA SA PA GM UA PW PB	120 277	GLR C BH SSA



a division of PMC Lighting Inc

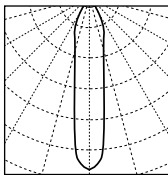
6" APERTURE

INCANDESCENT PAR30 / PAR38 LAMPS
RECESSED DOWNLIGHT

PHOTOMETRICS

CANDELLA
VERT° AT 0°

90	0
85	0
80	0
75	0
70	0
65	0
60	0
55	0
50	1
45	2
40	4
35	15
30	66
25	280
20	665
15	1913
10	4625
5	9147
0	14702



FOOTLAMBERTS

90°-85°	0
80°-75°	0
70°-65°	0
60°-55°	0
50°-45°	42

Efficiency:
86.4%
S/MH Ratio: .240

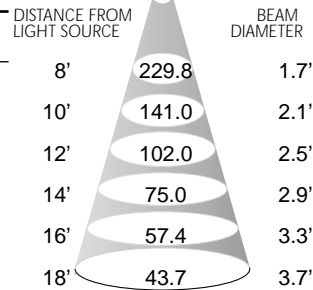
Model No. INP-6-90PAR38SP-CL-120

Coefficients of Utilization-Zonal Cavity

	80%			70%			50%		
	R	C	U	R	C	U	R	C	U
1	1.00	.99	.98	.98	.97	.96	.94	.93	.92
2	.97	.95	.93	.96	.93	.91	.91	.89	.88
3	.95	.92	.89	.94	.91	.88	.89	.87	.85
4	.93	.89	.86	.92	.88	.86	.87	.84	.83
5	.91	.87	.84	.90	.86	.83	.85	.82	.81
6	.89	.85	.82	.88	.84	.82	.83	.81	.79
7	.87	.83	.80	.87	.83	.80	.82	.79	.78
8	.86	.81	.77	.85	.81	.78	.80	.78	.76
9	.84	.80	.77	.83	.79	.77	.79	.76	.75
10	.82	.78	.75	.82	.77	.75	.77	.75	.73

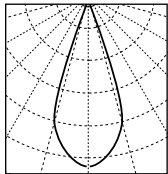
CONE OF LIGHT

INITIAL NADIR FOOTCANDLES



CANDEL-LA
VERT° AT 0°

90	0
85	0
80	0
75	0
70	0
65	0
60	0
55	0
50	1
45	7
40	22
35	112
30	438
25	1456
20	3389
15	4200
10	4659
5	4805
0	4805



FOOTLAMBERTS

90°-85°	0
80°-75°	0
70°-65°	0
60°-55°	0
50°-45°	29

Efficiency:
90.2%
S/MH Ratio: .603

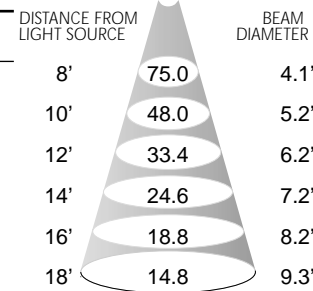
Model No. INP-6-90PAR38FL-CL-120

Coefficients of Utilization-Zonal Cavity

	80%			70%			50%		
	R	C	U	R	C	U	R	C	U
1	1.04	1.03	1.01	1.02	1.01	.99	.97	.96	.95
2	1.00	.97	.95	.99	.96	.93	.93	.91	.89
3	.98	.94	.90	.96	.92	.90	.90	.88	.86
4	.94	.90	.86	.93	.89	.86	.87	.84	.82
5	.92	.86	.83	.90	.86	.82	.84	.81	.79
6	.89	.84	.80	.88	.83	.80	.82	.79	.77
7	.87	.81	.78	.86	.81	.77	.80	.77	.74
8	.84	.79	.75	.83	.78	.75	.77	.74	.72
9	.82	.76	.72	.81	.76	.72	.75	.72	.70
10	.79	.73	.69	.78	.73	.69	.72	.69	.67

CONE OF LIGHT

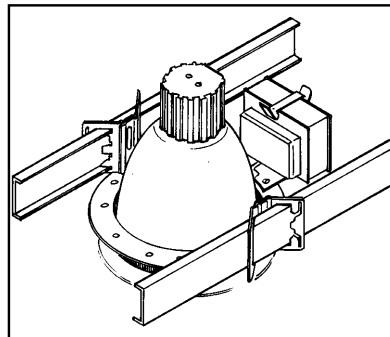
INITIAL NADIR FOOTCANDLES



Reflector Conversion Factors:

Straw .97	Pewter .86
Champagne .96	Umber .83
Gold .93	Gun Metal .75
Wheat .88	Micro Baffle .60

INSTALLATION



Universal mounting brackets are installed on all fixtures. C-Channels (shown) are the preferred system for mounting in Plaster-type ceilings. For T-Bar ceilings and other mounting use BH Hangers or scrap EMT.

Ocean State Lighting has designed this system for sloped ceilings specifically to make installation as easy and rapid as possible. For details consult the factory.



a division of PMC Lighting Inc