

# 6" APERTURE

## HORIZONTAL LAMPS

### COMPACT FLUORESCENT

### RECESSED DOWNLIGHT

**OPTIONS:**

**Lamp Options:**

- 13BX** - 13W Biax Fluorescent (G24q1)
- 18QPL** - 18W Quad Fluorescent (24q2)
- 26QPL** - 26W Quad Fluorescent (G24q3)
- 26PLT** - 26W Triple Tube Fluorescent (G24qx)
- 32PLT** - 32W Triple Tube Fluorescent (G24qx)
- 42PLT** - 42W Triple Tube Fluorescent (G24qx)

**Reflector Options:**

- CL** - Clear Anodized (standard)
- GA** - Gold Anodized
- CA** - Champagne Anodized
- WA** - Wheat Anodized
- SA** - Straw Anodized
- PA** - Pewter Anodized
- GM** - Gun Metal Anodized
- UA** - Umber Anodized
- PW** - Painted White
- PB** - Painted Black

**Baffle Option:**

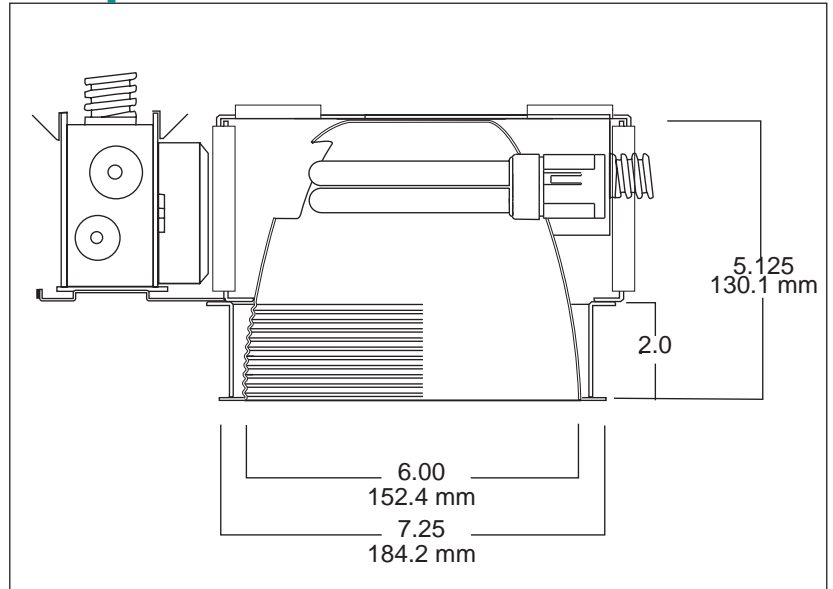
- MB** - Black Micro Baffle
- WB** - White Micro Baffle
- BRB** - Bronze Micro Baffle

**Installation Options:**

- C** - C Channel Hangers 27" (2)
- BH** - T-Bar Ceiling Hanging Assemblies (2)
- SSA** - Slope Ceiling Adapter (specify degree in 5 degree increments)

**Electrical Options:**

- EM** - Emergency Battery Pack
- 277** - 277 Volt Operation
- GLR** - In Line Fusing
- 2CIR** - 2 Circuit Wiring



**PRODUCT SPECIFICATION DATA:**

Low iridescent specular Alzak® reflector. Polished trim flange is standard. Matte white trim or other colors available consult factory.

Designed for 2 horizontally mounted QPL or PLT lamps. Lamps by others.

Capable of mounting in 2" ceiling thickness

Reflector retained by yoke system.

14 Gauge galvanized junction box with snap-on covers.

Suitable for through wiring (4in/4out) #12 AWG.

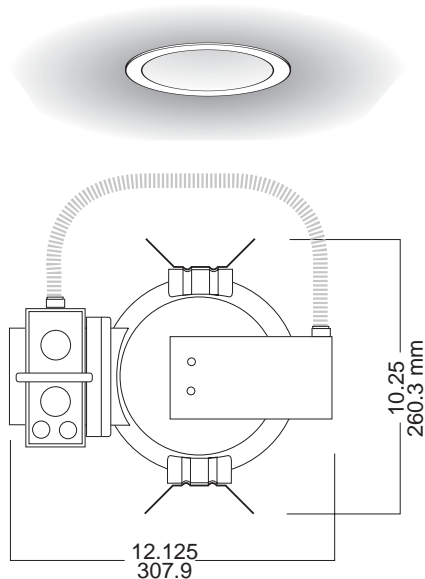
Factory wired for ease in installation.

UL/CUL Listed / Damp Location.

Electronic Ballast standard.

Ballast accessible from below ceiling.

To assure optimum quality and performance in our product, PMC lighting is requiring the use of **Osram Sylvania**, **Ushio**, or **Phillips** brand lamps in our fixtures. Older square base lamps will not fit and may cause damage.



**ORDERING INFORMATION**

FLH - 6 - 1/42PLT- CL - MB - -

LIGHT SOURCE	APERTURE	LAMP	REFLECTOR	BAFFLE	VOLTAGE	OPTIONS
FLUORESCENT HORIZONTAL		2/13BX 2/18QPL 2/26QPL 1/26PLT 1/32PLT 1/42PLT	CL GA CA WA SA PA GM UA PW PB	MB WB BRB	120 277 347	2CIR CCEA DIMG DIMH EM GLR LMP SSA



a division of PMC Lighting Inc

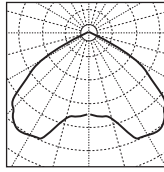
# 6" APERTURE

HORIZONTAL LAMPS  
COMPACT FLUORESCENT  
RECESSED DOWNLIGHT

## PHOTOMETRICS

**CANDEL-LA**  
VERT° AT 0°

90	0
85	1
80	2
75	3
70	4
65	5
60	6
55	8
50	12
45	18
40	27
35	40
30	60
25	90
20	135
15	202
10	288
5	391
0	391



**FOOTLAMBERTS**

90°-85°	184
80°-75°	124
70°-65°	151
60°-55°	2845
50°-45°	6517

**Efficiency: 55.9%**  
**S/MH Ratio: 1.354**

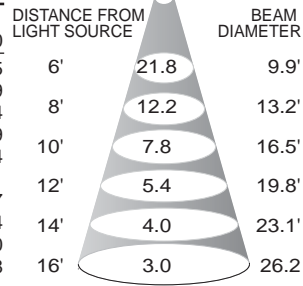
### Model No. FLH-6-2/13BX-CL-120-EB

Coefficients of Utilization-Zonal Cavity

	80%			70%			50%		
	R	C	R	C	R	C	R	C	
1	.63	.61	.59	.61	.60	.58	.57	.56	.55
2	.59	.56	.53	.58	.55	.52	.53	.51	.49
3	.55	.51	.47	.54	.50	.47	.49	.46	.44
4	.51	.46	.43	.50	.46	.42	.44	.41	.39
5	.48	.42	.38	.47	.41	.38	.40	.37	.34
6	.44	.38	.34	.43	.38	.34	.37	.33	.31
7	.41	.34	.30	.40	.34	.30	.33	.30	.27
8	.38	.31	.27	.37	.31	.27	.30	.26	.24
9	.35	.28	.23	.34	.27	.23	.27	.23	.20
10	.32	.25	.21	.31	.25	.21	.24	.20	.18

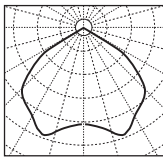
### CONE OF LIGHT

INITIAL NADIR FOOTCANDLES



**CANDEL-LA**  
VERT° AT 0°

90	0
85	1
80	2
75	2
70	4
65	6
60	8
55	16
50	25
45	37
40	55
35	86
30	135
25	202
20	288
15	391
10	481
5	475
0	474



**FOOTLAMBERTS**

90°-85°	184
80°-75°	124
70°-65°	227
60°-55°	4631
50°-45°	7852

**Efficiency: 51.7%**  
**S/MH Ratio: 1.463**

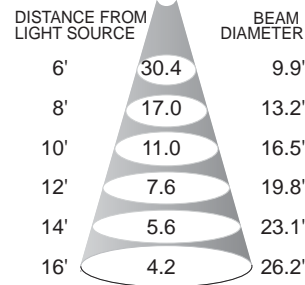
### Model No. FLH-6-2/18QPL-CL-120-EB

Coefficients of Utilization-Zonal Cavity

	80%			70%			50%		
	R	C	R	C	R	C	R	C	
1	.58	.56	.55	.57	.55	.54	.53	.52	.51
2	.54	.51	.49	.53	.50	.48	.49	.47	.45
3	.51	.47	.43	.50	.46	.43	.44	.42	.40
4	.47	.42	.39	.46	.41	.38	.40	.37	.35
5	.44	.38	.34	.43	.38	.34	.37	.33	.31
6	.40	.34	.30	.39	.34	.30	.33	.30	.27
7	.37	.31	.27	.36	.31	.27	.30	.26	.24
8	.34	.28	.24	.33	.27	.24	.27	.23	.21
9	.31	.25	.21	.31	.24	.21	.24	.20	.18
10	.29	.22	.18	.28	.22	.18	.22	.18	.16

### CONE OF LIGHT

INITIAL NADIR FOOTCANDLES



#### Reflector Conversion Factors:

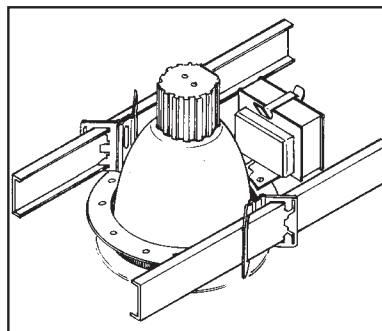
Straw .97	Pewter .86
Champagne .96	Umber .83
Gold .93	Gun Metal .75
Wheat .88	Micro Baffle .60

#### Lumen Correction Factors

**1 to 1 ratio**

13 watt - 900 Lumens
18 watt - 1250 Lumens
26 watt - 1800 Lumens
32 watt - 2400 Lumens
42 watt - 3200 Lumens

## INSTALLATION



Universal mounting brackets are installed on all fixtures. C-Channels (shown) are the preferred system for mounting in Plaster-type ceilings. For T-Bar ceilings and other mounting use BH Hangers or scrap EMT.

Ocean State Lighting has designed this system for sloped ceilings specifically to make installation as easy and rapid as possible. For details consult the factory.



a division of PMC Lighting Inc