

9" X 4.5" RECTANGULAR APERTURE

RECESSED TRIPLE TUBE FLUORESCENT HORIZONTAL LAMPS

RECESSED FLUORESCENT

OPTIONS:

Lamp Options:

- 1/26PLT-1/26 Watt PLT Lamp
- 1/32PLT-1/32 Watt PLT Lamp
- 1/42PLT-1/42 Watt PLT Lamp
- 1/57PLT-1/57 Watt PLT Lamp
- 1/65PLT-1/65 Watt PLT Lamp
- 1/70PLT-1/70 Watt PLT Lamp

Reflector Options:

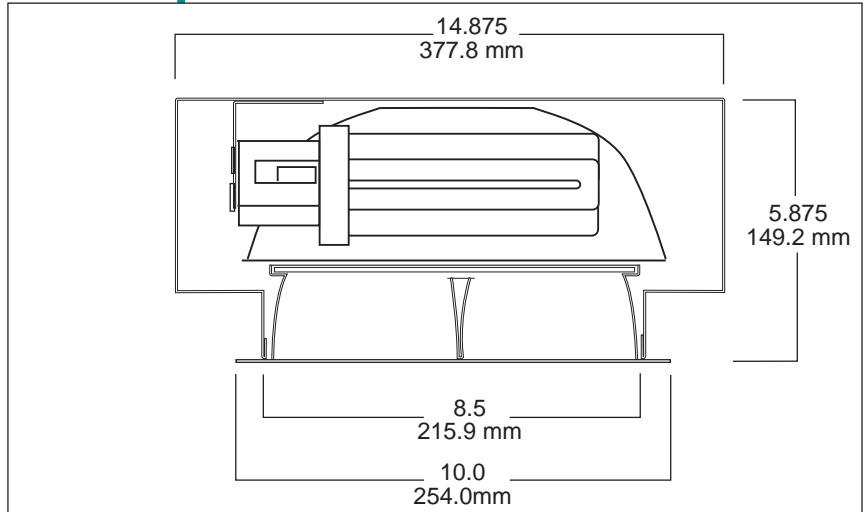
- CL - Clear Anodized (standard)
- GA - Gold Anodized
- CA - Champagne Anodized
- CO - Coffee Anodized
- WA - Wheat Anodized
- SA - Straw Anodized
- PA - Pewter Anodized
- GM - Gun Metal Anodized
- UA - Umber Anodized
- HZ - Haze
- PW - Painted White
- PB - Painted Black

Electrical Options:

- EM-Emergency Battery Pack
- DIMH-Dimming Ballast - 3 Wire Lutron Hi-Lume
- DIMG-Dimming Ballast - 2 Wire Generic
- 277-277 Volt Operation
- GLR-In Line Fusing

Diffuser Options:

- C73 - C73 Lens Standard
- PB1-One Cell Parabolic Louver
- PB2-Two Cell Parabolic Louver
- PB4-Four Cell Parabolic Louver
- LWW-Wall Wash Parabolic Louver



**ROUGH CEILING
OPENING 9-1/4" X 5-1/4"**

PRODUCT SPECIFICATION DATA:

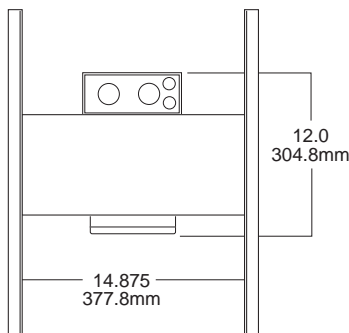
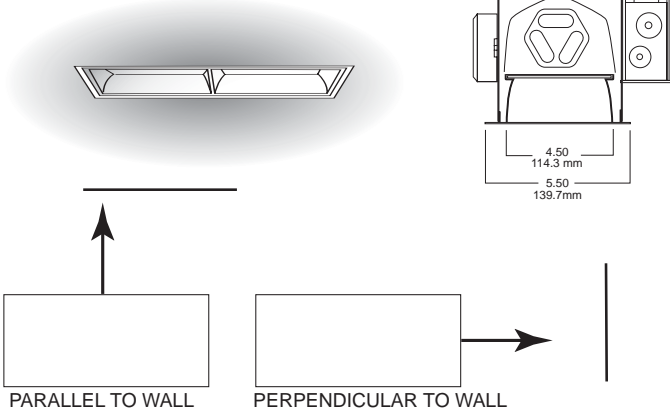
- Steel (matte black) Housing
- Rectangular aperture 9" x 4.5"
- Mounted using "mounting ears"
- Bar Hangers are standard
- Designed for horizontally mounted triple tube fluorescent lamps.
- Lamps by others
- 14 Gauge galvanized junction box with snap-on covers.
- UV Spread Lens (C73) Std.
- Suitable for through wiring (4in/4out) #12 AWG
- Factory wired for ease in installation.
- UL/CUL Listed /Damp Location.
- Electronic Ballast Standard.
- Ballast accessible from below ceiling.

To assure optimum quality and performance in our product, PMC lighting is requiring the use of **Osram Sylvania**, **Ushio**, or **Phillips** brand lamps in our fixtures. Older square base lamps will not fit and may cause damage.

ORDERING INFORMATION

FLHR - 49 - 1/26PLT - CL - 120 -

LIGHT SOURCE	APERTURE	LAMP	REFLECTOR	ELECTRICAL	DIFFUSER
FLUORESCENT HORIZONTAL		1/26PLT 1/32PLT 1/42PLT 1/57PLT 1/70PLT	CL GA CA CO WA SA PA GM UA HZ PW PB	120 277 EM DIMH GLR	C73 PB1 PB2 PB4 LWW



a division of PMC Lighting Inc

9" X 4.5"

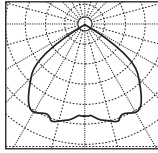
RECTANGULAR APERTURE

RECESSED TRIPLE TUBE FLUORESCENT
HORIZONTAL LAMPS

PHOTOMETRICS

CANDELLA
VERT° AT 0°

90	0
85	0
80	0
75	0
70	1
65	2
60	5
55	85
50	341
45	505
40	658
35	782
30	827
25	765
20	702
15	640
10	608
5	580
0	583

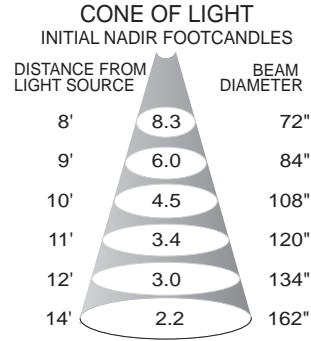


Efficiency: 69.3%
S/MH Ratio: 1.45

Model No. FLHR-49-1/32PLT-CL-4PBL-120-EB

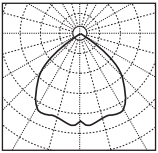
Coefficients of Utilization-Zonal Cavity

	80%			70%			50%		
	R	C	U	R	C	U	R	C	U
1	.80	.78	.76	.79	.77	.75	.76	.74	.73
2	.74	.71	.68	.73	.70	.67	.70	.68	.66
3	.68	.64	.61	.67	.63	.60	.65	.62	.59
4	.63	.58	.55	.62	.58	.54	.60	.57	.59
5	.58	.53	.49	.57	.52	.49	.55	.51	.48
6	.53	.48	.44	.52	.47	.44	.51	.47	.44
7	.48	.43	.39	.47	.42	.39	.46	.42	.39
8	.43	.38	.35	.43	.38	.35	.42	.38	.35
9	.40	.34	.31	.39	.34	.31	.38	.34	.31
10	.36	.31	.27	.35	.31	.27	.35	.30	.27



CANDELLA
VERT° AT 0°

90	0
85	0
80	0
75	0
70	0
65	0
60	4
55	7
50	49
45	90
40	217
35	343
30	394
25	444
20	447
15	449
10	451
5	453
0	446

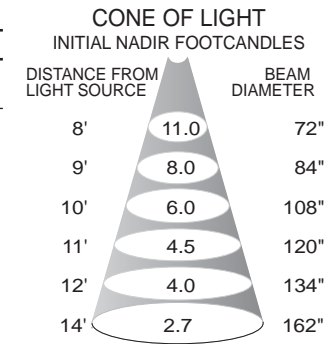


Efficiency: 55.0%
S/MH Ratio: 1.65

Model No. FLHR-49-1/26QLT-CL-4PBL-120-EB

Coefficients of Utilization-Zonal Cavity

	80%			70%			50%		
	R	C	U	R	C	U	R	C	U
1	.65	.64	.62	.64	.63	.61	.62	.60	.60
2	.60	.58	.56	.59	.57	.54	.58	.56	.54
3	.56	.51	.50	.55	.52	.50	.54	.51	.49
4	.52	.48	.46	.51	.48	.45	.50	.47	.45
5	.48	.44	.42	.47	.44	.41	.46	.44	.41
6	.44	.40	.38	.44	.40	.38	.43	.40	.37
7	.41	.37	.34	.40	.36	.34	.39	.36	.34
8	.37	.33	.31	.37	.33	.31	.36	.33	.30
9	.34	.30	.28	.34	.30	.28	.33	.30	.27
10	.31	.28	.25	.31	.28	.25	.31	.27	.25



Reflector Conversion Factors:

Straw .97	Pewter .86
Champagne .96	Umber .83
Gold .93	Gun Metal .75
Wheat .88	Micro Baffle .60

Lumen Correction Factors

1 to 1 ratio

13 watt - 900 Lumens
18 watt - 1250 Lumens
26 watt - 1800 Lumens
32 watt - 2400 Lumens
42 watt - 3200 Lumens



a division of PMC Lighting Inc