

E-Z SLIDE

PATENT PENDING

OPTIONS:

Lamp Options:

13QPL - 13 Watt Quad Tube Fluorescent (G24q1)

42PLT - 42 Watt Triple Tube Fluorescent (G24qx)

Reflector or Baffle Options:

CL - Clear Anodized (standard)

GA - Gold Anodized

CA - Champagne Anodized

WA - Wheat Anodized

SA - Straw Anodized

PA - Pewter Anodized

GM - Gun Metal Anodized

UA - Umber Anodized

PW - Painted White

PB - Painted Black

HZ - Haze

Baffle Options:

MB - Black Micro Baffle

WB - White Micro Baffle

BRB - Bronze Micro Baffle

Installation Options:

SSA - Slope Ceiling Adapter (specify angle in 5 degree increments from 10 - 45 degrees)

Electrical Options:

EM - Emergency Battery Pack

DIMH - Dimming Ballast - 3 Wire Lutron HiLume

DIMG - Dimming Ballast - 2 Wire Generic

277 - 277 Volt Operation

GLR - In Line Fusing

Glass Options:

CGS - Clear

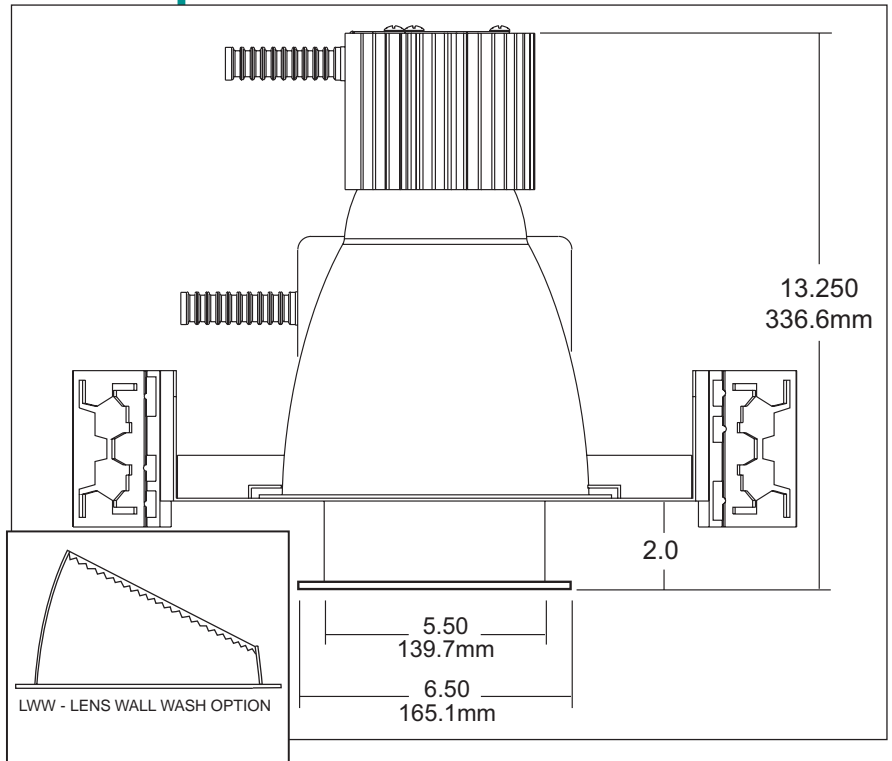
F - Frosted

LWW - Lens Wall Wash

6" SQUARE. APERTURE

VERTICAL LAMPS
COMPACT FLUORESCENT
RECESSED DOWNLIGHT

RECESSED FLUORESCENT



ROUGH CEILING OPENING 6-1/4" SQ.

PRODUCT SPECIFICATION DATA:

Steel (matte black) Housing

Low iridescent specular Alzak® reflector. Polished trim flange is standard. Matte white trim or other colors available - consult factory.

Designed for 1 QPL or PLT vertical lamp. Lamps by others.

Capable of mounting in 2" thick ceiling.

Positive trim retention.

14 Gauge galvanized junction box with snap-on covers.

Suitable for through wiring (4in/4out) #12 AWG.

Factory wired for ease in installation.

Bar hangers are standard

UL/CUL Listed / Damp Location.

Chicago Plenum-CCEA - consult factory.

Electronic Ballast Standard.

Ballast accessible from below ceiling

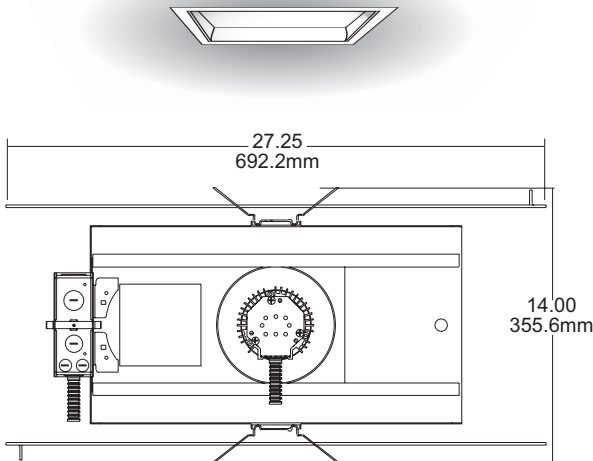
* Adjustable 1 or 2 lamp - consult factory

FLHSQ - Horizontal 1 or 2 Lamp Consult Factory

ORDERING INFORMATION

FLV-SQ - 6- 26PLT - CL - 120-

LIGHT SOURCE	APERTURE	LAMP	REFLECTOR OR BAFFLE	ELECTRICAL	GLASS
FLUORESCENT VERTICAL SQUARE		13QPL 18PLT 26PLT 32PLT 42PLT	CL GA CA WA SA PA GM UA PW PB HZ	120 277 EM DIMH DIMG GLR	CGS F LWW



a division of PMC Lighting Inc

To assure optimum quality and performance in our product, PMC lighting is requiring the use of **Osram Sylvania**, **Ushio**, or **Phillips** brand lamps in out fixtures. Older square base lamps will not fit and may cause damage.

6" SQUARE. APERTURE

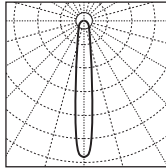
VERTICAL LAMPS
COMPACT FLUORESCENT
RECESSED DOWNLIGHT

E-Z SLIDE
PATENT PENDING

PHOTOMETRICS

CANDELLA
VERT° AT 0°

90	0
85	0
80	0
75	0
70	0
65	0
60	1
55	3
50	10
45	33
40	60
35	102
30	241
25	739
20	1420
15	2133
10	5238
5	12338
0	19735



FOOTLAMBERTS

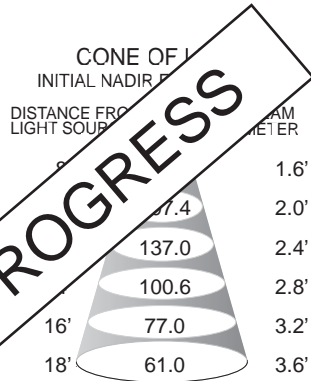
90°-85°	0
80°-75°	0
70°-65°	9
60°-55°	153
50°-45°	1466

Efficiency:
96.3%
S/MH Ratio: .232

Model No. FLV-SQ-6-13QPL-CL-120

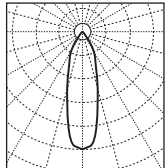
Coefficients of Utilization-Zonal Cavity

	80%			70%			50%		
	R	C	U	R	C	U	R	C	U
1	1.12	1.10	1.08	1.09	1.08	1.06	1.04	1.03	1.02
2	1.08	1.05	1.02	1.06	1.03	1.01	1.01	.99	.97
3	1.05	1.01	.98	1.04	1.00	.97	.98	.96	.94
4	1.03	.98	.95	1.01	.97	.94	.95	.93	.91
5	1.00	.95	.91	.99	.94	.91	.93	.90	.88
6	.98	.93	.89	.97	.92	.89	.91	.88	.86
7	.96	.90	.87	.95	.90	.87	.89	.87	.85
8	.93	.88	.85	.93	.88	.84	.87	.85	.83
9	.91	.86	.82	.91	.85	.82	.85	.83	.81
10	.89	.83	.80	.88	.80	.78	.83	.81	.79



CANDELLA
VERT° AT 0°

90	0
85	0
80	0
75	0
70	0
65	1
60	2
55	3
50	10
45	40
40	68
35	129
30	389
25	1064
20	2090
15	3432
10	5065
5	5962
0	6166



FOOTLAMBERTS

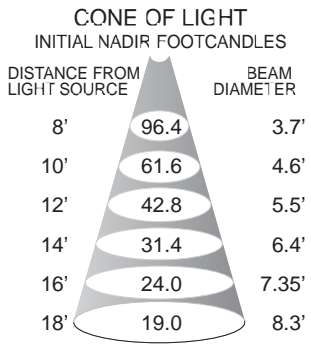
90°-85°	0
80°-75°	0
70°-65°	94
60°-55°	181
50°-45°	1781

Efficiency:
93.5%
S/MH Ratio: .537

Model No. FLV-SQ-6-13QPL-CL-120

Coefficients of Utilization-Zonal Cavity

	80%			70%			50%		
	R	C	U	R	C	U	R	C	U
1	1.08	1.06	1.04	1.02	1.00	.99	.98	.96	.94
2	1.04	1.01	.98	.99	.96	.94	.92	.90	.88
3	1.01	.97	.94	.99	.95	.92	.92	.90	.88
4	.98	.94	.91	.95	.91	.87	.89	.86	.83
5	.95	.91	.87	.92	.87	.83	.85	.82	.80
6	.91	.85	.81	.90	.84	.80	.83	.79	.77
7	.88	.82	.78	.87	.81	.77	.80	.77	.74
8	.85	.79	.75	.84	.78	.74	.77	.74	.71
9	.82	.75	.71	.81	.75	.71	.74	.71	.68
10	.79	.72	.68	.78	.72	.68	.71	.68	.65



TESTING IN PROGRESS

Reflector Conversion

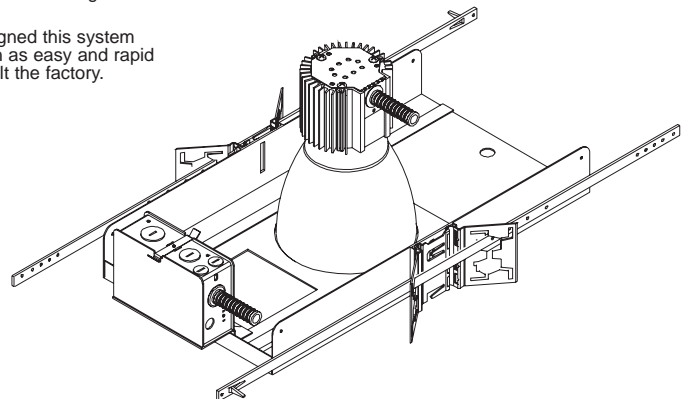
Factors:

Wheat	.88
Straw	.97
Champagne	.96
Gold	.93
Pewter	.86
Umber	.83
Gun Metal	.75
Micro Baffle	.60

INSTALLATION

Universal mounting brackets are installed on all fixtures. C-Channels are the preferred system for mounting in Plaster-type ceilings. For T-Bar ceilings and other mounting use BH Hangers (supplied) or scrap EMT.

Ocean State Lighting has designed this system specifically to make installation as easy and rapid as possible. For details consult the factory.



a division of PMC Lighting Inc