

12" SQUARE

HORIZONTAL LAMPS

COMPACT FLUORESCENT

RECESSED FLAT LENS LIGHT

OPTIONS:

Lamp Options:

- 18QPL** - 18W Quad Fluorescent (G24q2)
- 26QPL** - 26W Quad Fluorescent (G24q3)
- 26PLT** - 26W Triple Tube Fluorescent (G24qx)
- 32PLT** - 32W Triple Tube Fluorescent (G24qx)
- 42PLT** - 42W Triple Tube Fluorescent (G24qx)

Door Options:

- PW** - Painted White (standard)
- PB** - Painted Black
- PBR** - Painted Bronze
- RMB** - Regressed Black Baffle
- RWB** - Regressed White Baffle
- RWS** - Regressed White Splay
- RBS** - Regressed Black Splay

Lens Option:

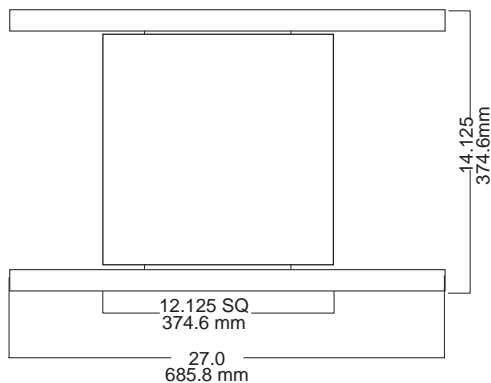
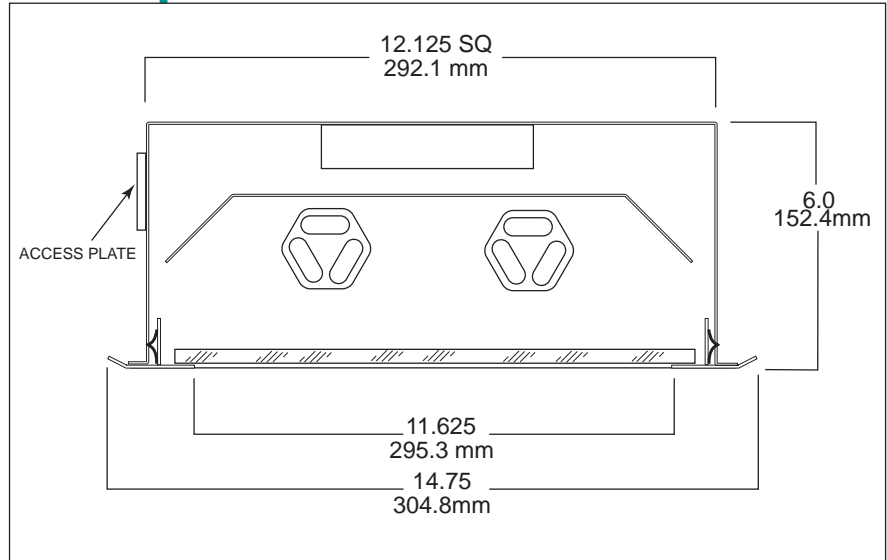
- P12** - Prismatic Acrylic
- FF** - Fresnel Glass Lens
- C73** - Corning Pattern 73
- WOA** - White Opal Acrylic
- LEX** - Clear Lexan
- P12/LEX** - .125 Prismatic Lexan

Installation Options:

- U** - Universal Clips
- C** - C Channel Hangers 27" (2)
- BH** - T-Bar Ceiling Hanging Assemblies (2)
- TP** - Tamper Proof
- WET** - Wet Location

Electrical Options:

- EM** - Emergency Battery Pack
- DIMH** - Dimming Ballast - 3 Wire Lutron HiLume
- DIMG** - Dimming Ballast - 2 Wire Generic
- 277** - 277 Volt Operation
- GLR** - In Line Fusing
- 2CIR** - 2 Circuit Wiring



PRODUCT SPECIFICATION DATA:

High reflectance white powder coat reflector.
 Designed for 2 horizontally mounted QPL or PLT lamps.
 Lamps by others.
 Capable of mounting in 2" thick ceiling.
 Positive trim retention with torsion springs.
 Heavy gauge steel housing with aluminum door.
 Suitable for through wiring (4in/4out) #12 AWG.
 Factory wired for ease in installation.
 UL/CUL Listed / Damp Location.
 Chicago Plenum-CCEA - consult factory.
 Electronic ballast standard.
 Ballast accessible from below ceiling.
 Lens secured with (4) aluminum clips to door frame.

To assure optimum quality and performance in our product, PMC lighting is requiring the use of **Osram Sylvania**, **Ushio**, or **Phillips** brand lamps in our fixtures. Older square base lamps will not fit and may cause damage.

ORDERING INFORMATION

FLH-SQ - 12 - 2/18QPL - - - 120 -

LIGHT SOURCE	APERTURE	LAMP	DOOR	LENS	VOLTAGE	OPTIONS
FLUORESCENT HORIZONTAL SQUARE		2/18QPL 2/26QPL 2/26PLT 2/32PLT 2/42PLT	PW PB PBR RMB RWB	P12 FF C73 WOA LEX P12/LEX	120 277	EM DIMH DIMG GLR 2CIR BH TP WET



a division of PMC Lighting Inc

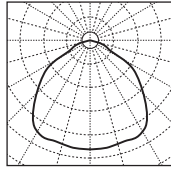
12" SQUARE

HORIZONTAL LAMPS
COMPACT FLUORESCENT
RECESSED FLAT LENS LIGHT

PHOTOMETRICS

CANDEL-LA
VERT° AT 0°

90	8
85	13
80	18
75	20
70	40
65	52
60	67
55	170
50	222
45	271
40	325
35	373
30	393
25	401
20	413
15	421
10	425
5	433
0	435



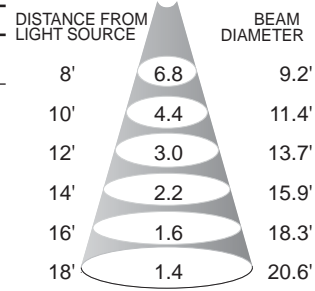
FOOTLAMBERTS
90°-85° 597
80°-75° 309
70°-65° 492
60°-55° 1186
50°-45° 1533
Efficiency:
57.2%
S/MH Ratio:
1.337

Model No. FLH-SQ-12-2/13BX-PW-C73-120-EB

Coefficients of Utilization-Zonal Cavity

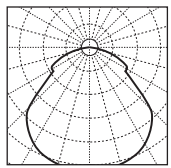
	80%			70%			50%		
	R	C	U	R	C	U	R	C	U
1	.64	.61	.59	.62	.60	.58	.58	.56	.55
2	.59	.55	.52	.58	.54	.51	.52	.50	.48
3	.55	.50	.46	.54	.49	.46	.48	.45	.42
4	.51	.45	.41	.50	.44	.40	.43	.40	.37
5	.47	.40	.36	.46	.40	.36	.39	.35	.32
6	.43	.37	.32	.42	.36	.32	.35	.31	.28
7	.40	.33	.28	.39	.33	.28	.32	.28	.25
8	.37	.30	.25	.36	.29	.25	.28	.25	.22
9	.34	.27	.22	.33	.26	.22	.26	.22	.19
10	.31	.24	.20	.31	.24	.20	.23	.19	.17

CONE OF LIGHT
INITIAL NADIR FOOTCANDLES



CANDEL-LA
VERT° AT 0°

90	5
85	25
80	38
75	50
70	80
65	100
60	175
55	192
50	250
45	362
40	449
35	491
30	535
25	560
20	585
15	590
10	592
5	592
0	581



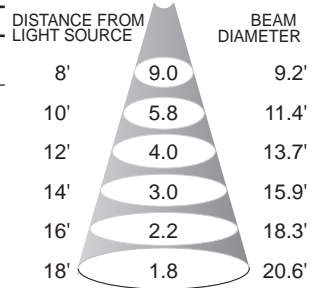
FOOTLAMBERTS
90°-85° 1147
80°-75° 773
70°-65° 946
60°-55° 1339
50°-45° 2048
Efficiency:
39.5%
S/MH Ratio:
1.332

Model No. FLH-SQ-12-2/26QPL-PW-C73-120-EB

Coefficients of Utilization-Zonal Cavity

	80%			70%			50%		
	R	C	U	R	C	U	R	C	U
1	.44	.42	.41	.40	.37	.35	.40	.39	.38
2	.41	.38	.36	.40	.37	.35	.36	.34	.33
3	.38	.34	.31	.37	.33	.31	.32	.30	.28
4	.35	.31	.28	.34	.30	.27	.29	.27	.25
5	.32	.28	.24	.31	.27	.24	.26	.24	.22
6	.30	.25	.22	.29	.25	.22	.24	.21	.19
7	.27	.23	.19	.27	.22	.19	.22	.19	.17
8	.25	.20	.17	.25	.20	.17	.20	.17	.15
9	.23	.18	.15	.23	.18	.15	.18	.15	.13
10	.22	.17	.14	.21	.16	.13	.16	.13	.11

CONE OF LIGHT
INITIAL NADIR FOOTCANDLES



Reflector Conversion Factors:

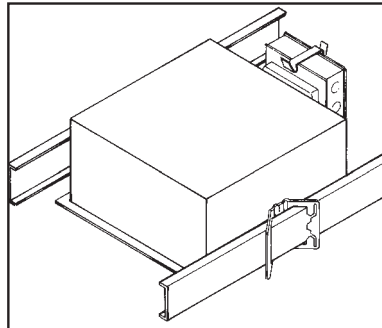
Straw .97	Pewter .86
Champagne .96	Umber .83
Gold .93	Gun Metal .75
Wheat .88	Micro Baffle .60

Lumen Correction Factors

1 to 1 ratio

13 watt - 900 Lumens
18 watt - 1250 Lumens
26 watt - 1800 Lumens
32 watt - 2400 Lumens
42 watt - 3200 Lumens

INSTALLATION



Universal mounting brackets are installed on all fixtures. C-Channels (shown) are the preferred system for mounting in Plaster-type ceilings. For T-Bar ceilings and other mounting use BH Hangers or scrap EMT.

Ocean State Lighting has designed this system for sloped ceilings specifically to make installation as easy and rapid as possible. For details consult the factory.



a division of PMC Lighting Inc