

# 9" APERTURE

## HORIZONTAL 3 LAMPS COMPACT FLUORESCENT RECESSED DOWNLIGHT

RECESSED FLUORESCENT

### OPTIONS:

#### Lamp Options:

- 18QPL** -18W Quad Fluorescent(G24q2)
- 26QPL** -26W Quad Fluorescent (G24q3)
- 26PLT** -26W Triple Tube Fluorescent (G24qx)
- 32PLT** -32W Triple Tube Fluorescent (G24qx)
- 42PLT** -42W Triple Tube Fluorescent (G24qx)

#### Reflector Options:

- CL** - Clear Anodized (standard)
- GA** - Gold Anodized
- CA** - Champagne Anodized
- WA** - Wheat Anodized
- SA** - Straw Anodized
- PA** - Pewter Anodized
- GM** - Gun Metal Anodized
- UA** - Umber Anodized
- PW** - Painted White
- PB** - Painted Black

#### Baffle Option:

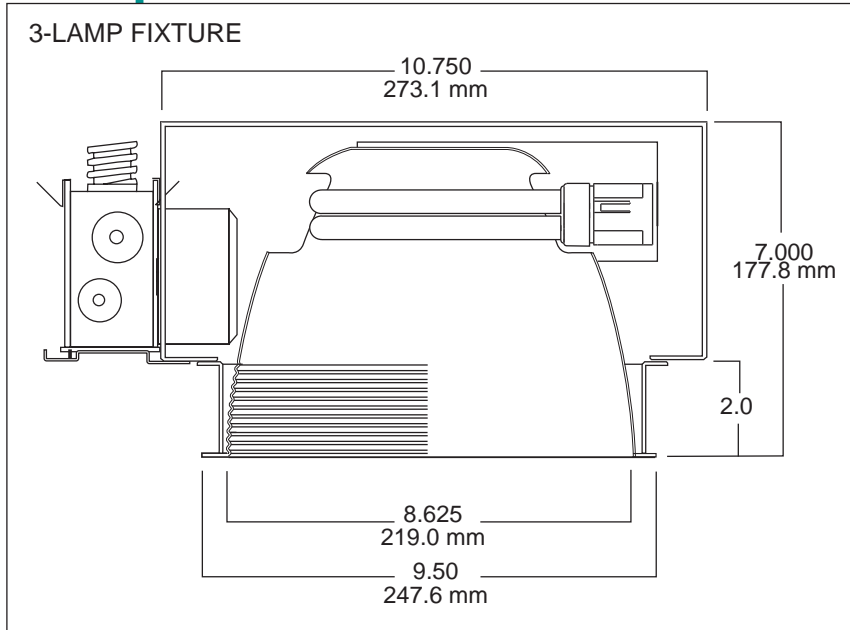
- MB** - Black Micro Baffle
- WB** - White Micro Baffle
- BRB** - Bronze Micro Baffle

#### Installation Options:

- C** - C Channel Hangers 27" (2)
- BH** - T-Bar Ceiling Hanging Assemblies (2)
- SSA** - Slope Ceiling Adapter (specify degree in 5° increments from 10 - 45°)

#### Electrical Options:

- EM** - Emergency Battery Pack
- DIMH** - Dimming Ballast - 3 Wire Lutron HiLume
- DIMG** - Dimming Ballast - 2 Wire Generic
- 277** - 277 Volt Operation
- GLR** - In Line Fusing
- 2CIR** - 2 Circuit Wiring



### PRODUCT SPECIFICATION DATA:

Low iridescent specular Alzak® reflector. Polished trim flange is standard. Matte white trim or other colors available - consult factory.

Designed for 3 horizontally mounted QPL or PLT lamps by others.

Capable of mounting in 2" thick ceiling.

Positive trim retention.

14 Gauge galvanized junction box with snap-on covers.

Suitable for through wiring (4in/4out) #12 AWG.

Factory wired for ease in installation.

UL/CUL Listed /Damp Location.

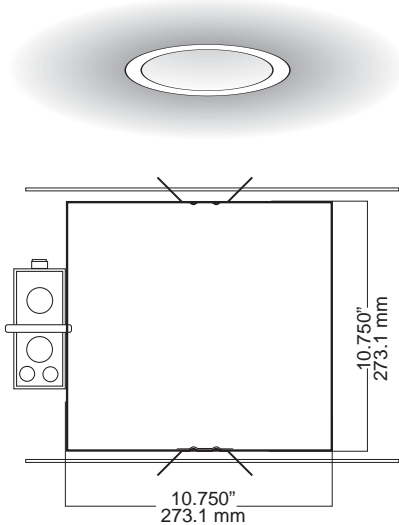
Chicago Plenum-CCEA-Consult Factory.

Electronic ballast standard.

Ballast accessible from below ceiling.

Vented Aluminum Housing

To assure optimum quality and performance in our product, PMC lighting is requiring the use of **Osram Sylvania**, **Ushio**, or **Phillips** brand lamps in our fixtures. Older square base lamps will not fit and may cause damage.



### ORDERING INFORMATION

FLH - 9 - 3/18QPL- CL - - 120 -

LIGHT SOURCE	APERTURE	LAMP	REFLECTOR	BAFFLE	VOLTAGE	OPTIONS
FLUORESCENT HORIZONTAL		3/18QPL 3/26QPL 3/26PLT 3/32PLT 3/42PLT	CL GA CA WA SA PA GM UA PW PB	MB WB BRB	120 277	EM DIMH DIMG GLR 2CIR C BH SSA



a division of PMC Lighting Inc

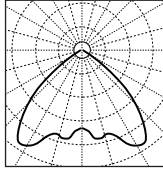
# 9" APERTURE

HORIZONTAL 3 LAMPS  
COMPACT FLUORESCENT  
RECESSED DOWNLIGHT

## PHOTOMETRICS

**CANDEL-LA**  
VERT° AT 0°

90	0
85	0
80	1
75	2
70	7
65	10
60	48
55	208
50	413
45	518
40	615
35	622
30	624
25	628
20	613
15	607
10	625
5	637
0	636



**FOOTLAMBERTS**

90°-85°	0
80°-75°	62
70°-65°	189
60°-55°	2891
50°-45°	5840

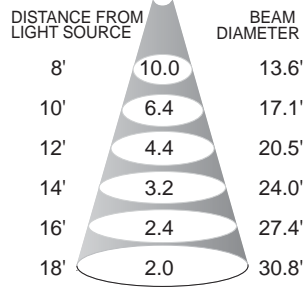
**Efficiency:**  
**63.5%**  
**S/MH Ratio: 1.49**

**Model No. FLH-9-3/13BX-CL-120-EB**

Coefficients of Utilization-Zonal Cavity

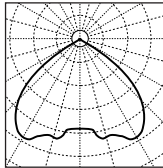
	80%			70%			50%		
	R	C	U	R	C	U	R	C	U
1	.71	.69	.67	.70	.68	.66	.65	.64	.62
2	.67	.63	.60	.65	.62	.59	.60	.57	.55
3	.62	.57	.53	.61	.56	.53	.55	.52	.49
4	.58	.52	.48	.57	.51	.47	.50	.46	.43
5	.54	.47	.42	.52	.46	.42	.45	.41	.38
6	.50	.42	.38	.48	.42	.37	.41	.37	.34
7	.46	.38	.33	.45	.37	.33	.37	.32	.29
8	.42	.34	.29	.41	.33	.29	.33	.28	.25
9	.38	.30	.25	.37	.30	.25	.29	.25	.22
10	.35	.27	.22	.34	.27	.22	.26	.22	.19

**CONE OF LIGHT**  
INITIAL NADIR FOOTCANDLES



**CANDEL-LA**  
VERT° AT 0°

90	0
85	2
80	3
75	6
70	13
65	30
60	186
55	452
50	602
45	705
40	787
35	824
30	816
25	797
20	763
15	749
10	755
5	753
0	765



**FOOTLAMBERTS**

90°-85°	183
80°-75°	185
70°-65°	566
60°-55°	6282
50°-45°	7948

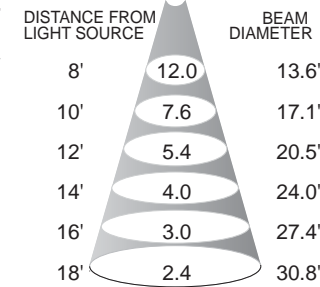
**Efficiency:**  
**44.3%**  
**S/MH Ratio: 1.59**

**Model No. FLH-9-3/26QPL-CL-120-EB**

Coefficients of Utilization-Zonal Cavity

	80%			70%			50%		
	R	C	U	R	C	U	R	C	U
1	.50	.48	.47	.48	.47	.46	.45	.44	.43
2	.46	.44	.41	.45	.43	.41	.41	.40	.38
3	.43	.39	.37	.42	.39	.36	.37	.35	.33
4	.40	.35	.32	.39	.35	.32	.34	.31	.29
5	.37	.32	.28	.36	.31	.28	.30	.28	.25
6	.34	.28	.25	.33	.28	.25	.27	.24	.22
7	.31	.25	.22	.30	.25	.22	.24	.21	.19
8	.28	.23	.19	.28	.22	.19	.22	.19	.16
9	.26	.20	.16	.25	.20	.16	.19	.16	.14
10	.24	.18	.15	.23	.18	.14	.17	.14	.12

**CONE OF LIGHT**  
INITIAL NADIR FOOTCANDLES



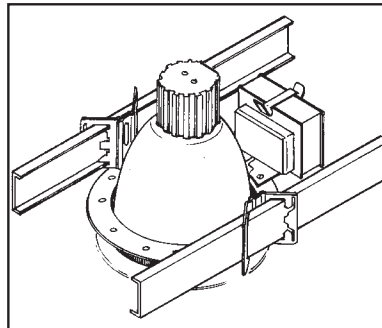
**Reflector Conversion Factors:**

Straw .97	Pewter .86
Champagne .96	Umber .83
Gold .93	Gun Metal .75
Wheat .88	Micro Baffle .60

**Lumen Correction Factors**

**1 to 1 ratio**  
13 watt - 900 Lumens  
18 watt - 1250 Lumens  
26 watt - 1800 Lumens  
32 watt - 2400 Lumens  
42 watt - 3200 Lumens

## INSTALLATION



Universal mounting brackets are installed on all fixtures. C-Channels (shown) are the preferred system for mounting in Plaster-type ceilings. For T-Bar ceilings and other mounting use BH Hangers or scrap EMT.

Ocean State Lighting has designed this system for sloped ceilings specifically to make installation as easy and rapid as possible. For details consult the factory.



a division of PMC Lighting Inc