

8" APERTURE

HORIZONTAL LAMPS

COMPACT FLUORESCENT

LENSED WALL WASH DOWNLIGHT

OPTIONS:

Lamp Options:

- 13BX** - 13W Biax Fluorescent (2Gx7)
- 18QPL** - 18W Quad Fluorescent (G24q2)
- 26QPL** - 26W Quad Fluorescent (G24q3)
- 26PLT** - 26W Triple Tube Fluorescent (G24qx)
- 32PLT** - 32W Triple Tube Fluorescent (G24qx)
- 42PLT** - 42W Triple Tube Fluorescent (G24qx)

Reflector Options:

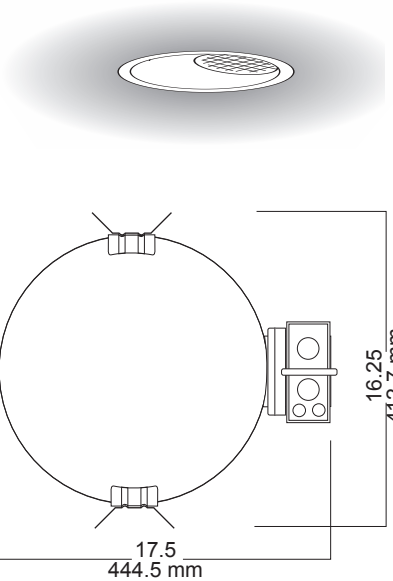
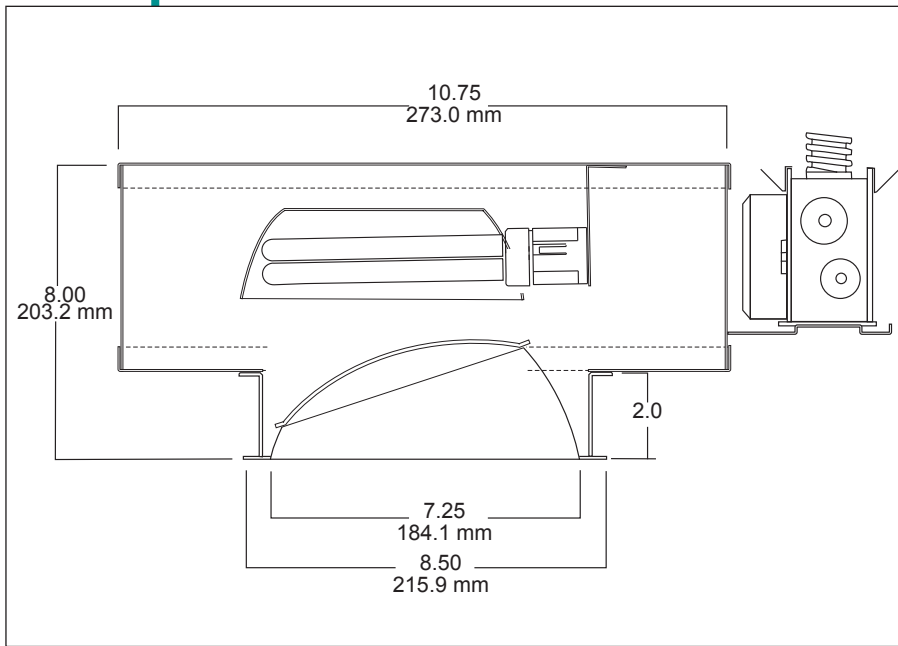
- CL** - Clear Anodized(Standard)
- GA** - Gold Anodized
- CA** - Champagne Anodized
- WA** - Wheat Anodized
- SA** - Straw Anodized
- PA** - Pewter Anodized
- GM** - Gun Metal Anodized
- UA** - Umber Anodized
- PW** - Painted White
- PB** - Painted Black

Installation Options:

- C** - C Channel Hangers 27" (2)
- BH** - T-Bar Ceiling Hanging Assemblies (2)

Electrical Options:

- EM** - Emergency Battery Pack
- DIMH** - Dimming Ballast - 3 Wire Lutron HiLume
- DIMG** - Dimming Ballast - 2 Wire Generic
- 277** - 277 Volt Operation
- GLR** - In Line Fusing
- 2CIR** - 2 Circuit Wiring



PRODUCT SPECIFICATION DATA:

Low iridescent specular Alzak® reflector with wall wash insert. Polished trim flange is standard. Matte white trim or other colors available - consult factory. Designed for 1 or 2 horizontally mounted QPL or PLT lamps. Lamps by others. Capable of mounting in 2" thick ceiling. Positive trim retention. 14 Gauge galvanized junction box with snap-on covers. Suitable for through wiring (4in/4out) #12 AWG. Factory wired for ease in installation. UL/CUL Listed / Damp Location. Chicago Plenum-CCEA - consult factory. Electronic ballast standard. Ballast accessible from below ceiling.

To assure optimum quality and performance in our product, OSL lighting is requiring the use of **Osram Sylvania**, **Ushio**, or **Phillips** brand lamps in our fixtures. Older square base lamps will not fit and may cause damage.

ORDERING INFORMATION

FLH-LWW-	8-	2/18QPL-	CL-	120-	-
LIGHT SOURCE	APERTURE	LAMP	REFLECTOR	VOLTAGE	OPTIONS
FLUORESCENT HORIZONTAL WALL WASH		2/13BX 2/18QPL 2/26QPL 1/26PLT 2/26PLT 1/32PLT 2/32PLT 1/42PLT 2/42PLT	CL GA CA WA SA PA GM UA PW PB	120 277	EM DIMH DIMG GLR 2CIR C BH



8" APERTURE

HORIZONTAL LAMPS
 COMPACT FLUORESCENT
 LENSED WALL WASH DOWNLIGHT

PHOTOMETRICS FOR LENSED WALL WASH

FLH-LWW-8-2/26QPL-CL-120-EB

		mounting distance from wall-2'					
		2' between fixtures		3' between fixtures		3' between fixtures	
distance from ceiling	1'	60fc	54fc	60fc	47fc	34fc	47fc
	3'	56fc	54fc	56fc	38fc	36fc	38fc
	5'	29fc	31fc	29fc	20fc	20fc	20fc
	7'	18fc	17fc	18fc	12fc	12fc	12fc
	9'	11fc	10fc	11fc	8fc	7fc	8fc

		mounting distance from wall-3'					
		2' between fixtures		3' between fixtures		3' between fixtures	
distance from ceiling	1'	15fc	14fc	15fc	13fc	9fc	13fc
	3'	33fc	32fc	33fc	26fc	23fc	26fc
	5'	23fc	22fc	23fc	17fc	17fc	17fc
	7'	15fc	14fc	15fc	11c	11fc	11c
	9'	10fc	9fc	10fc	1fc	7fc	1fc

Reflector Conversion Factors:

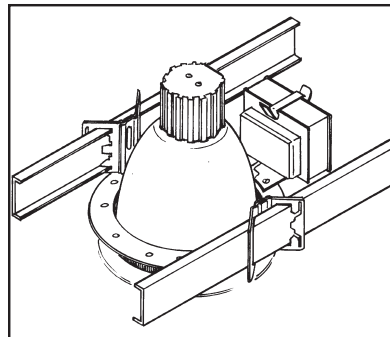
Gold	.93
Wheat	.88
Straw	.97
Champagne	.96
Pewter	.86
Umber	.83
Gun Metal	.75
Micro Baffle	.60

Lumen Correction Factors 1 to 1 ratio

13 watt	- 900 Lumens
18 watt	- 1250 Lumens
26 watt	- 1800 Lumens
32 watt	- 2400 Lumens
42 watt	- 3200 Lumens

Data is for standard units, consult factory for double and corner units. Footcandle values are initial and tables are based on a minimum of 6 units. For fixture-to-wall distance other than those shown, use maximum of 1 to 1 spacing (distance between fixtures not more than distance to wall) for best results.

INSTALLATION



Universal mounting brackets are installed on all fixtures. C-Channels (shown) are the preferred system for mounting in Plaster-type ceilings. For T-Bar ceilings and other mounting use BH Hangers or scrap EMT.

Ocean State Lighting has designed this system for sloped ceilings specifically to make installation as easy and rapid as possible. For details consult the factory.



a division of PMC Lighting Inc