

7" APERTURE

OPEN COATED METAL HALIDE LAMPS REFLECTED WALL WASH

OPTIONS:

Lamp Options:

100ED17 - 100 Watt ED17MP Coated
(Medium Base) Maximum Wattage

Trim Options:

PW - Painted White
PB - Painted Black
BR - Painted Bronze

Baffle Options:

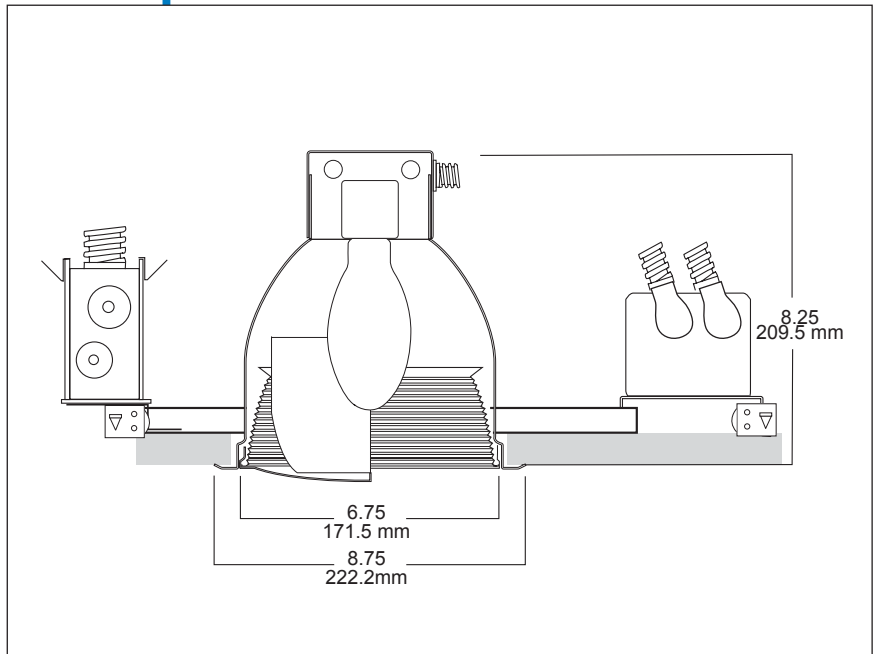
MB - Black Micro Baffle (standard)
WB - White Micro Baffle
BRB - Bronze Micro Baffle

Installation:

BH - T-Bar Ceiling Hanging
Assemblies
(2 standard)

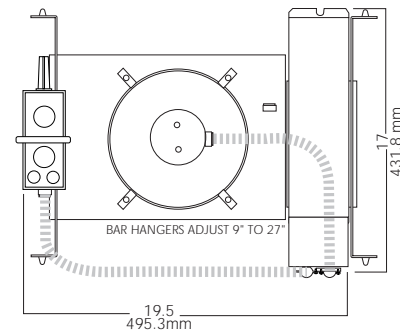
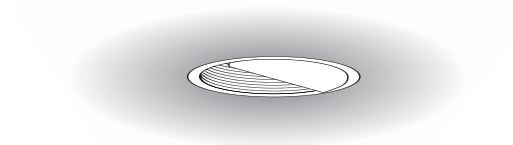
Electrical Options:

277 - 277 Volt Operation
GLR - In Line Fusing



PRODUCT SPECIFICATION DATA:

Low iridescent specular Alzak® reflector with micro baffle & specular insert reflector for wall wash distribution. Designed for ED17MP Open Fixture Coated Metal Halide Lamps. Lamps by others. 14 Gauge galvanized junction box with snap-on covers. Suitable for through wiring (4in/4out) #12 AWG. Heat sensor mounted on junction box. Factory wired for ease in installation. ETL/CSA Listed / Damp Location. Chicago Ceiling Plenum-CCEA - consult factory. Ballast accessible from below ceiling.



ORDERING INFORMATION

TYP	MODEL NO.	OPTION
OMH-7RWW-50ED17-MB-PW-120		
OMH-7RWW-70ED17-MB-PW-120		
OMH-7RWW-100ED17-MB-PW-120		

Note: For High Pressure Sodium or Mercury Vapor, specify "HPS" or "MV" instead of "OMH".



a division of PMC Lighting Inc

7" APERTURE

OPEN COATED METAL HALIDE LAMPS
REFLECTED WALL WASH

PHOTOMETRICS

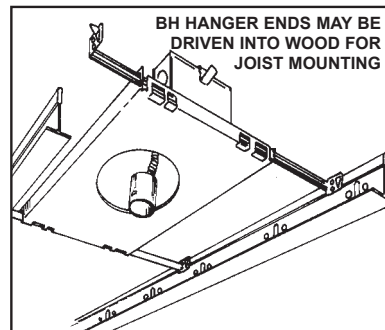
Model No. OMH-7RWW-100ED17-MB-PW-120

distance from ceiling	mounting distance from wall-2'					
		2' between fixtures			3' between fixtures	
1'	161fc	149fc	161fc	120fc	79fc	120fc
3'	145fc	145fc	145fc	96fc	25fc	96fc
5'	66fc	75fc	66fc	54fc	12fc	54fc
7'	33fc	33fc	33fc	25fc	24fc	25fc
9'	28fc	33fc	28fc	24fc	32fc	24fc

Lamp Conversion Factors

	MH	HPS	MV
50W	.38	1.25	.52
70W	.59	1.23	.59
100W	1.01	.09	.53

BH MOUNTING INSTRUCTIONS



The BH installation system uses adjustable width brackets for installation in plaster-type and T-bar ceilings. For T-Bar: Expand the brackets to the span between stringers, rest tabs at ends on top of T-Bar, then wire in place. For Plaster Type Ceilings: Expand the brackets, drive the cleats of the bracket into the cross beams with a mallet or hammer, being certain the end is parallel with the base of the beam.

Ocean State Lighting has used this system specifically to make installation as easy and rapid as possible. For details consult the factory.



a division of PMC Lighting Inc