

7" APERTURE

OPEN COATED METAL HALIDE LAMPS CUTOFF REFLECTOR

OPTIONS:

Lamp Options:

150ED17 - 150 Watt ED17MP Coated
(Medium Base) Maximum Wattage

Reflector Options:

- CL** - Clear Anodized (standard)
- GA** - Gold Anodized
- CA** - Champagne Anodized
- WA** - Wheat Anodized
- SA** - Straw Anodized
- PA** - Pewter Anodized
- UA** - Umber Anodized
- PW** - Painted White
- PB** - Painted Black

Baffle Option:

- MB** - Black Micro Baffle
- WB** - White Micro Baffle
- BRB** - Bronze Micro Baffle

Installation:

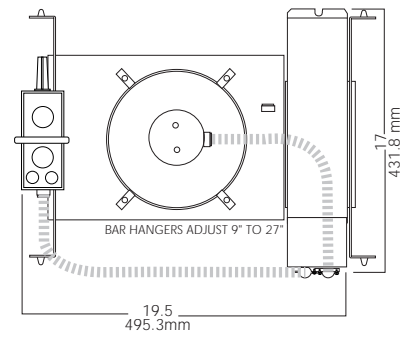
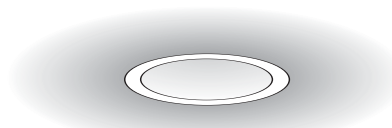
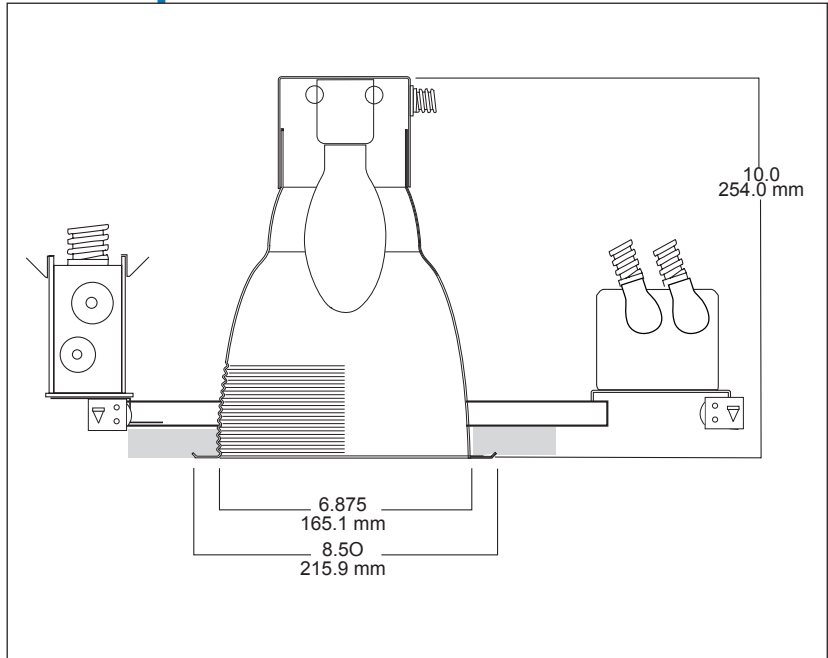
- BH** - T-Bar Ceiling Hanging Assemblies (2 standard)
- SSA** - Slope Ceiling Adapter (specify degree in 5° increments from 10 - 45°)

Electrical Options:

- EMQ** - Quartz Re-strike Emergency System (Wattage may not exceed primary fixture wattage, and requires lens or clear glass shield)
- 277** - 277 Volt Operation
- GLR** - In Line Fusing

PRODUCT SPECIFICATION DATA:

Low iridescent specular Alzak® reflector.
Designed for ED17MP Coated Metal Halide Lamps.
Lamps by others
14 Gauge galvanized junction box with snap-on covers.
Suitable for through wiring (4in/4out) #12 AWG.
Heat sensor mounted on junction box.
Factory wired for ease in installation.
ETL/CSA Listed / Damp Location.
Chicago Ceiling Plenum-CCEA - consult factory.
Ballast accessible from below ceiling.



ORDERING INFORMATION

TYPE	MODEL NO.	OPTIONS
	OMH-7ED-50ED17-CL-120	
	OMH-7ED-70ED17-CL-120	
	OMH-7ED-100ED17-CL-120	
	OMH-7ED-150ED17-CL-120	

Note: For High Pressure Sodium or Mercury Vapor, specify "HPS" or "MV" instead of "OMH".

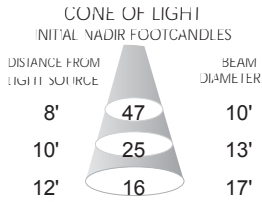


a division of PMC Lighting Inc

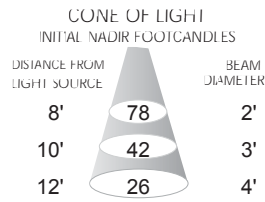
7" APERTURE

OPEN COATED METAL HALIDE LAMPS
CUTOFF REFLECTOR

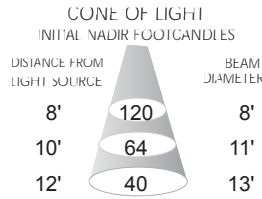
PHOTOMETRICS



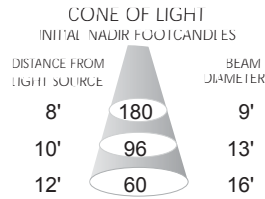
Model No. OMH-7ED-50ED17-CL-120



Model No. OMH-7ED-70ED17-CL-120



Model No. OMH-7ED-100ED17-CL-120



Model No. OMH-7ED-150ED17-CL-120

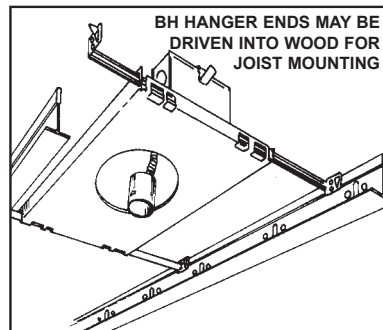
Reflector Conversion

Factors:	Wheat .88
Straw .97	Pewter .86
Champagne .96	Umber .83
Gold .93	Micro Baffle .60

Lamp Conversion Factors

	MH	HPS	MV
50W	.38	1.25	.52
70W	.59	1.23	.59
100W	1.01	.09	.53
150W	1.49	1.25	NA

BH MOUNTING INSTRUCTIONS



The BH installation system uses adjustable width brackets for installation in plaster-type and T-bar ceilings. For T-Bar: Expand the brackets to the span between stringers, rest tabs at ends on top of T-Bar. then wire in place. For Plaster Type Ceilings: Expand the brackets, drive the cleats of the bracket into the cross beams with a mallet or hammer, being certain the end is parallel with the base of the beam.

Ocean State Lighting has used this system specifically to make installation as easy and rapid as possible. For details consult the factory.



a division of PMC Lighting Inc