

**OPTIONS:**

Lamp Options: (single lamp)

- 13QPL** - 13W Quad Fluorescent (G24q1)
- 18PLT** - 18W Quad Fluorescent (G24q2)
- 26PLT** - 26W Quad Fluorescent (G24qx)
- 32PLT** - 32W Triple Tube Fluorescent (G24qx)
- 42PLT** - 42W Triple Tube Fluorescent (G24qx)

Reflector Options:

- CL** - Clear Anodized (standard)
- GA** - Gold Anodized
- CA** - Champagne Anodized
- WA** - Wheat Anodized
- SA** - Straw Anodized
- PA** - Pewter Anodized
- UA** - Umber Anodized
- PW** - Painted White
- PB** - Painted Black

Installation:

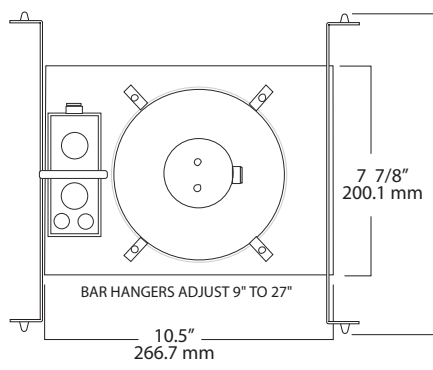
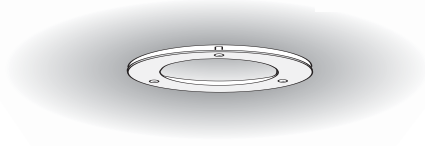
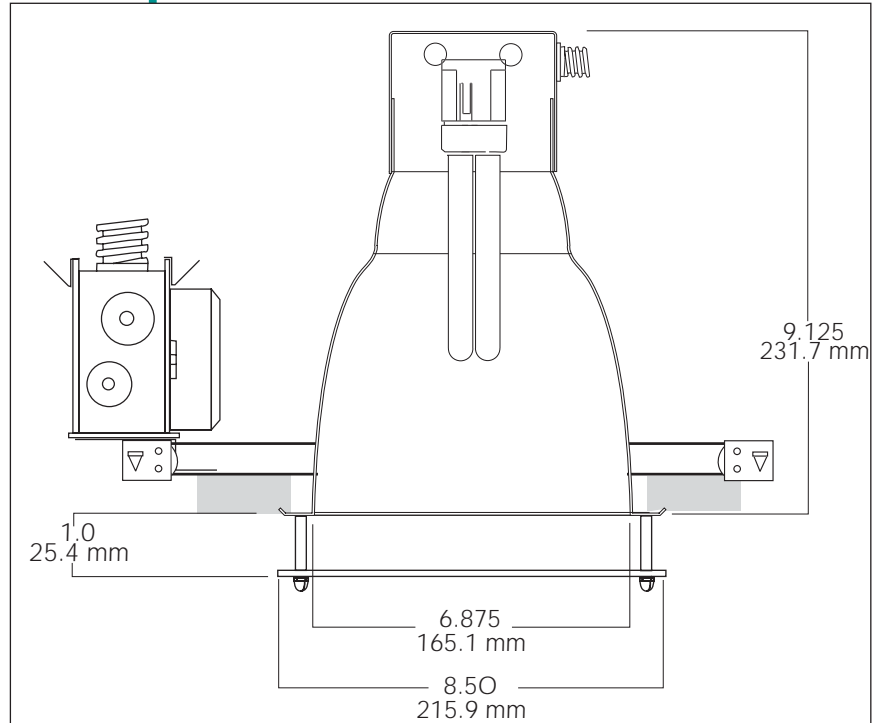
**BH** - T-Bar Ceiling Hanging Assemblies  
(2 standard)

Electrical Options:

- EM** - Emergency Battery Pack
- DIMH** - Dimming Ballast - 3 Wire Lutron HiLume
- DIMG** - Dimming Ballast - 2 Wire Generic
- 277** - 277 Volt Operation
- GLR** - In Line Fusing

# 7" APERTURE RECESSED COMPACT FLUORESCENT VERTICAL LAMPS WITH SANDED DISK

RECESSED FLUORESCENT



**PRODUCT SPECIFICATION DATA:**

- Low iridescent specular Alzak® reflector.
- 5-3/8" Open translucent colored acrylic Glow Ring, 0.25" thick in choice of decorator colors.
- Designed for vertically mounted fluorescent lamps. Lamps by others.
- 14 Gauge galvanized junction box with snap-on covers.
- Suitable for through wiring (4in/4out) #12 AWG.
- Factory wired for ease in installation.
- UL/CUL Listed / Damp Location.
- Chicago Ceiling Plenum-CCEA - consult factory.
- Electronic ballast standard.
- Ballast accessible from below ceiling.

To assure optimum quality and performance in our product, PMC lighting is requiring the use of **Osram Sylvania**, **Ushio**, or **Phillips** brand lamps in our fixtures. Older square base lamps will not fit and may cause damage.

**ORDERING INFORMATION**

TYP	MODEL NO.	OPTIONS
FLV-7SD	13QPL-CL-120-EB	
FLV-7SD	18PLT-CL-120-EB	
FLV-7SD	26PLT-CL-120-EB	
FLV-7SD	32PLT-CL-120-EB	
FLV-7SD	42PLT-CL-120-EB	

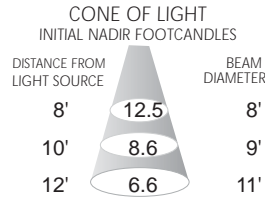


a division of PMC Lighting Inc

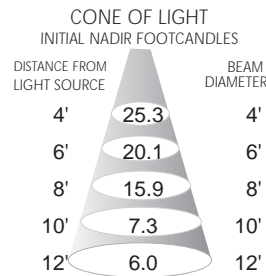
# 7" APERTURE

RECESSED COMPACT FLUORESCENT  
VERTICAL LAMPS  
WITH SANDED DISK

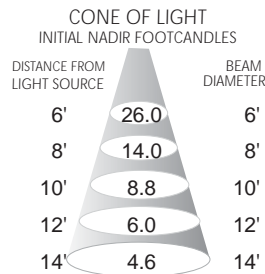
## PHOTOMETRICS



Model No. FLV-7SD-13QPL-CL-120-EB



Model No. FLV-7SD-18PLT-CL-120-EB



Model No. FLV-7SD-32PLT-CL-120-EB

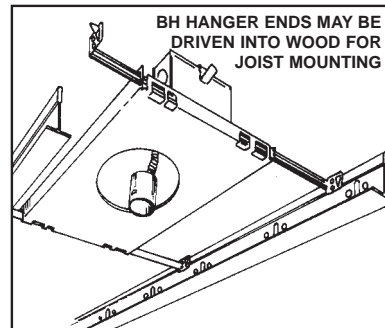
**Reflector Conversion Factors:**

Gold	.93
Wheat	.88
Straw	.97
Champagne	.96
Pewter	.86
Umber	.83
Micro Baffle	.60

**Lumen Correction Factors 1 to 1 ratio**

13 watt	- 900 Lumens
18 watt	- 1250 Lumens
26 watt	- 1800 Lumens
32 watt	- 2400 Lumens
42 watt	- 3200 Lumens

## BH MOUNTING INSTRUCTIONS



The BH installation system uses adjustable width brackets for installation in plaster-type and T-bar ceilings. For T-Bar: Expand the brackets to the span between stringers, rest tabs at ends on top of T-Bar. then wire in place. For Plaster Type Ceilings: Expand the brackets, drive the cleats of the bracket into the cross beams with a mallet or hammer, being certain the end is parallel with the base of the beam.

Ocean State Lighting has used this system specifically to make installation as easy and rapid as possible. For details consult the factory.



a division of PMC Lighting Inc