

# E-Z SLIDE

PATENT PENDING

## OPTIONS:

### Lamp Options:

- 39T6** - 39 Watt T6 Clear
- 70T6** - 70 Watt T6 Clear
- 39T4** - 39 Watt T4 Clear
- 70T4** - 70 Watt T4 Clear

### Reflector or Baffle Options:

- CL** - Clear Anodized (standard)
- GA** - Gold Anodized
- CA** - Champagne Anodized
- WA** - Wheat Anodized
- SA** - Straw Anodized
- PA** - Pewter Anodized
- GM** - Gun Metal Anodized
- UA** - Umber Anodized
- PW** - Painted White
- PB** - Painted Black
- HZ** - Haze

### Baffle Options:

- MB** - Black Micro Baffle
- WB** - White Micro Baffle
- BRB** - Bronze Micro Baffle

### Installation Options:

- SSA** - Slope Ceiling Adapter (Specify angle in 5 degree increments from 10 - 45 degrees)

### Electrical Options:

- EMQ** - Quartz Re-strike Emergency System
- 277** - 277 Volt Operation
- GLR** - In Line Fusing

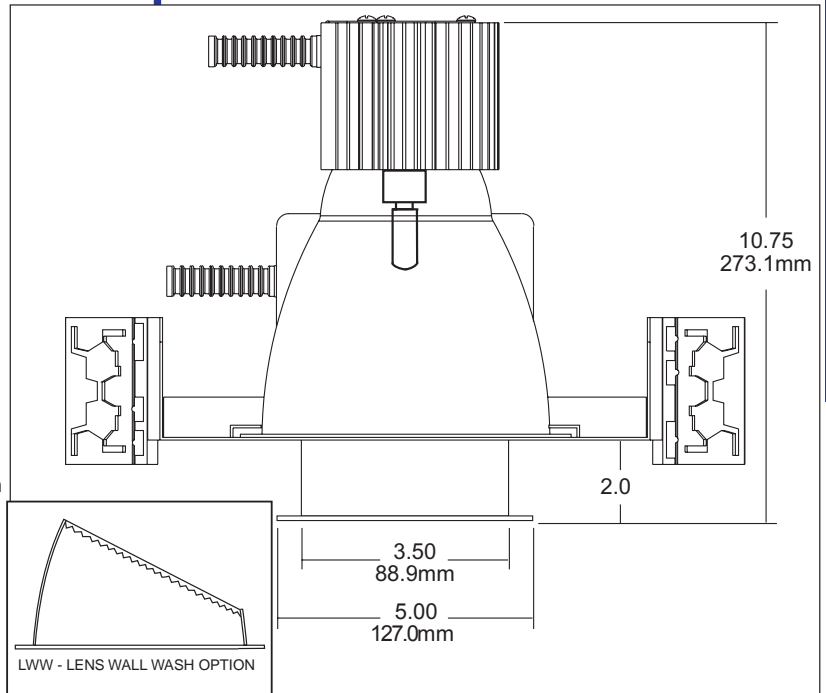
### Glass Options:

- C73** - Pattern 73 (Standard)
- F** - Frosted
- LWW** - Lens Wall Wash

# 4" SQUARE. APERTURE

VERTICAL LAMP  
METAL HALIDE  
RECESSED DOWNLIGHT

RECESSED HID



ROUGH CEILING OPENING 3-3/4" SQ.

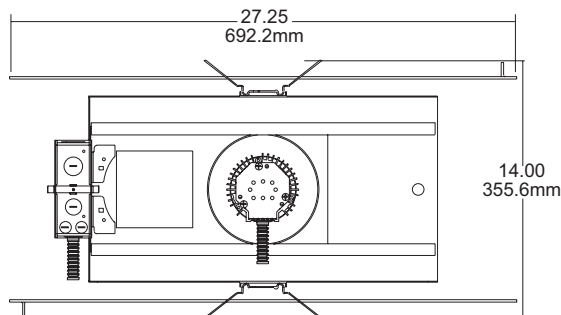
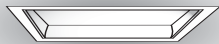
## PRODUCT SPECIFICATION DATA:

Steel (matte black) Housing  
Low iridescent specular Alzak® reflector. Polished trim flange is standard. Matte white trim or other colors available - consult factory. Designed for 1 T6 or T4 vertical lamp. Lamps by others. Capable of mounting in 2" thick ceiling. Positive trim retention.  
14 Gauge galvanized junction box with snap-on covers. Suitable for through wiring (4in/4out) #12 AWG. Factory wired for ease in installation. Bar hangers are standard  
UL/CUL Listed / Damp Location.  
Chicago Plenum-CCEA - consult factory.  
Electronic Ballast Standard.  
Ballast accessible from below ceiling using sliding tray.  
Heat sink extruded aluminum socket housing.  
Pulse-rated porcelain socket.  
Thermal protection.

## ORDERING INFORMATION

MHT-SQ - 4- 39T6 - CL - 120-

LIGHT SOURCE	APERTURE	LAMP	REFLECTOR OR BAFFLE	ELECTRICAL	GLASS
METAL HALIDE VERTICAL SQUARE		39T4 70T4 39T6 70T6	CL GA CA WA SA PA GM UA PW PB HZ	120 277 EMQ GLR	C73 F LWW



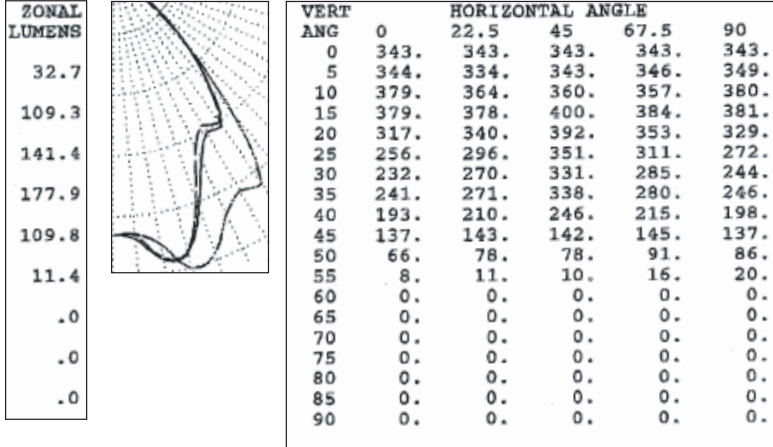
a division of PMC Lighting Inc

# 4" APERTURE

METAL HALIDE T6 LAMPS  
RECESSED DOWNLIGHT

## PHOTOMETRICS

Model No.MHT-SQ-4-39T6-CL-120-C73



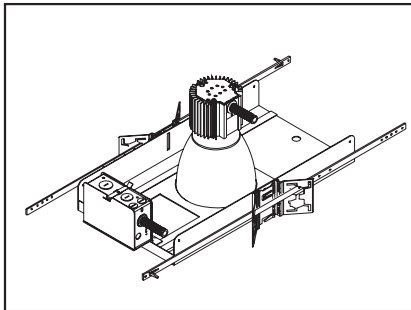
**Reflector Conversion Factors:**

Straw .97      Umber .83  
 Champagne .96      Gun Metal .75  
 Gold .93      Micro Baffle .60  
 Wheat .88  
 Pewter .86

**Lamp Conversion Factors**

MH  
 35W .29  
 50W .38  
 70W .59  
 100W1.01  
 150W1.49

## INSTALLATION



Universal mounting brackets are installed on all fixtures. C-Channels (shown) are the preferred system for mounting in Plaster-type ceilings. For T-Bar ceilings and other mounting use BH Hangers or scrap EMT.

Ocean State Lighting has designed this system for sloped ceilings specifically to make installation as easy and rapid as possible. For details consult the factory.



a division of PMC Lighting Inc