

# 6" APERTURE

WALL, SURFACE OR PENDANT MOUNTED DOWNLIGHT

**OPTIONS:**

**Installation Options:**

- W** - Wall Mounted
- S** -Surface Mounted
- P** -Pendant Mounted

**Lamp Options:**

- 39T6** - 39 Watt T6
- 70T6** - 70 Watt T6

**Reflector Options:**

- CL** - Clear Anodized (standard)
- GA** - Gold Anodized
- CA** - Champagne Anodized
- WA** - Wheat Anodized
- SA** - Straw Anodized
- PA** - Pewter Anodized
- GM** - Gun Metal Anodized
- UA** - Umber Anodized
- HZ** - Haze Anodized
- PW** - Painted White
- PB** - Painted Black

**Glass Options:**

- CGS** - Glass Shield
- C73** - Corning Pattern 73 (Standard)

For others consult factory

**Housing Finish:**

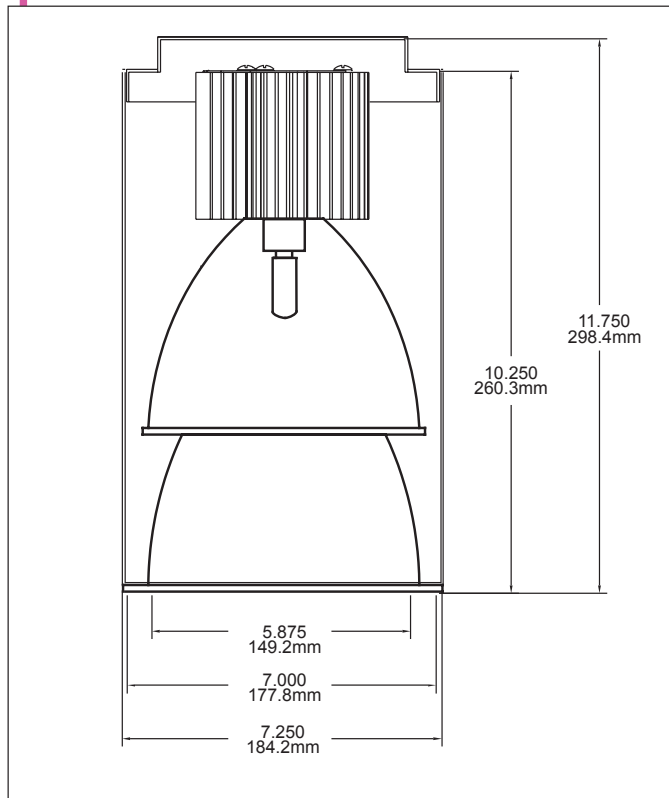
- B** -Powder Coat Black
- W** - Powder Coat White
- BR** - Powder Coat Bronze

**Baffle Options:**

- MB** - Black Micro Baffle
- WB** - White Micro Baffle
- BRB** - Bronze Micro Baffle

**Electrical Options:**

- 120**- 120 Volt Operation
- 277** - 277 Volt Operation
- GLR** - In Line Fusing



**PRODUCT SPECIFICATION DATA:**

Low iridescent specular Alzak® reflector.  
 Open heavy gauge aluminum cylinder.  
 Wall bracket: Heavy contoured one piece extruded aluminum finished to match cylinder.  
 Powder coated housings. Finish applied over pre-treated surfaces  
 Pulse-rated porcelain socket.  
 Factory wired for ease in installation.  
 UL Listed / Suitable for damp location (for wet location consult factory).



**SURFACE                      PENDANT                      WALL**

**ORDERING INFORMATION**

**S - MHT- 6 - 70T6- CL - - - - 120-EB**

MOUNTING	LIGHT SOURCE	APERTURE	LAMP	REFLECTOR	GLASS	FINISH	BAFFLE	ELECTRICAL
W S P	OPEN METAL HALIDE	6	39T6 70T6	CL GA CA WA SA PA GM UA HZ PW PB	CGS C73	B W BR	MB WB BRB	120 277 GLR



a division of PMC Lighting Inc

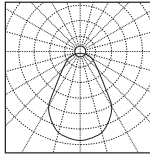
# 6" APERTURE

MP SERIES COATED LAMPS  
OPEN METAL HALIDE ED17  
SURFACE MOUNTED

## PHOTOMETRICS

**CANDELLA**  
VERT. AT 0°

90	0
85	0
80	4
75	7
70	39
65	71
60	166
55	261
50	520
45	779
40	1291
35	1803
30	2388
25	2972
20	3281
15	3590
10	3642
5	3693
0	3691



**FOOTLAMBERTS**

90°-85°	0
80°-75°	433
70°-65°	2688
60°-55°	7281
50°-45°	17627

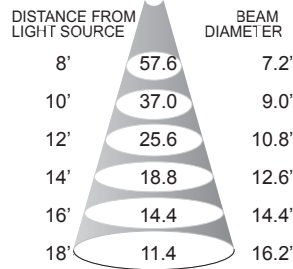
**Efficiency: 59.9%**  
**S/MH Ratio: 1.053**

### Model No. SOMH-6-100ED17-CL-120

Coefficients of Utilization-Zonal Cavity

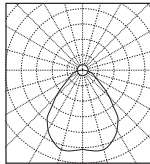
	80%			70%			50%		
	R	C	U	R	C	U	R	C	U
1	.68	.66	.65	.66	.65	.63	.62	.61	.60
2	.64	.61	.59	.63	.60	.58	.58	.56	.55
3	.61	.57	.54	.60	.56	.53	.54	.52	.50
4	.57	.52	.49	.56	.52	.48	.50	.48	.45
5	.54	.48	.45	.53	.48	.44	.47	.44	.41
6	.51	.45	.41	.50	.45	.41	.44	.40	.38
7	.48	.42	.38	.47	.41	.38	.41	.37	.35
8	.45	.39	.35	.44	.38	.34	.37	.34	.32
9	.42	.35	.31	.41	.35	.31	.34	.31	.29
10	.39	.33	.29	.39	.32	.29	.32	.28	.26

### CONE OF LIGHT INITIAL NADIR FOOTCANDLES



**CANDELLA**  
VERT. AT 0°

90	0
85	0
80	3
75	6
70	22
65	38
60	114
55	190
50	414
45	638
40	1077
35	1515
30	1999
25	2482
20	2721
15	2959
10	2941
5	2923
0	2843



**FOOTLAMBERTS**

90°-85°	0
80°-75°	371
70°-65°	1439
60°-55°	5300
50°-45°	14436

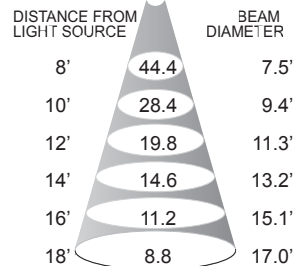
**Efficiency: 49.1%**  
**S/MH Ratio: 1.103**

### Model No. SOMH-6-70ED17-CL-120

Coefficients of Utilization-Zonal Cavity

	80%			70%			50%		
	R	C	U	R	C	U	R	C	U
1	.56	.54	.53	.54	.53	.52	.51	.50	.49
2	.53	.50	.48	.52	.49	.47	.48	.46	.45
3	.50	.47	.44	.49	.46	.43	.45	.43	.41
4	.47	.43	.40	.46	.43	.40	.41	.39	.37
5	.44	.40	.37	.43	.39	.36	.38	.36	.34
6	.42	.37	.34	.41	.37	.34	.36	.33	.31
7	.39	.34	.31	.39	.34	.31	.33	.31	.29
8	.37	.32	.29	.36	.31	.28	.31	.28	.26
9	.34	.29	.26	.34	.29	.26	.28	.26	.24
10	.32	.27	.24	.32	.27	.24	.26	.23	.21

### CONE OF LIGHT INITIAL NADIR FOOTCANDLES



#### Reflector Conversion

Wheat	.88
Straw	.97
Champagne	.96
Gold	.93
Umber	.83
Gun Metal	.75
Micro Baffle	.60

#### Lamp Conversion Factors

MH	HPS	MV
50W	.38	1.25
70W	.59	1.23
100W	1.01	.09
150W	1.49	1.25
		NA



a division of PMC Lighting Inc