

# 6" APERTURE

INCANDESCENT PAR30 / PAR38 LAMPS  
PENDANT, SURFACE, OR WALL  
MOUNTED DOWNLIGHT

**OPTIONS:**

Installation Options:

- S** - Surface Mounted
- P** - Pendant Mounted
- W** - Wall Mounted
- C** - Cord Hung

Lamp Options:

**150PAR38** - 150 Watt Par38 (Medium Base)  
Maximum Wattage

Reflector Options:

- CL** - Clear Anodized (standard)
- GA** - Gold Anodized
- CA** - Champagne Anodized
- WA** - Wheat Anodized
- SA** - Straw Anodized
- PA** - Pewter Anodized
- GM** - Gun Metal Anodized
- UA** - Umber Anodized
- HZ** - Haze Anodized
- PW** - Painted White
- PB** - Painted Black

Housing Finish:

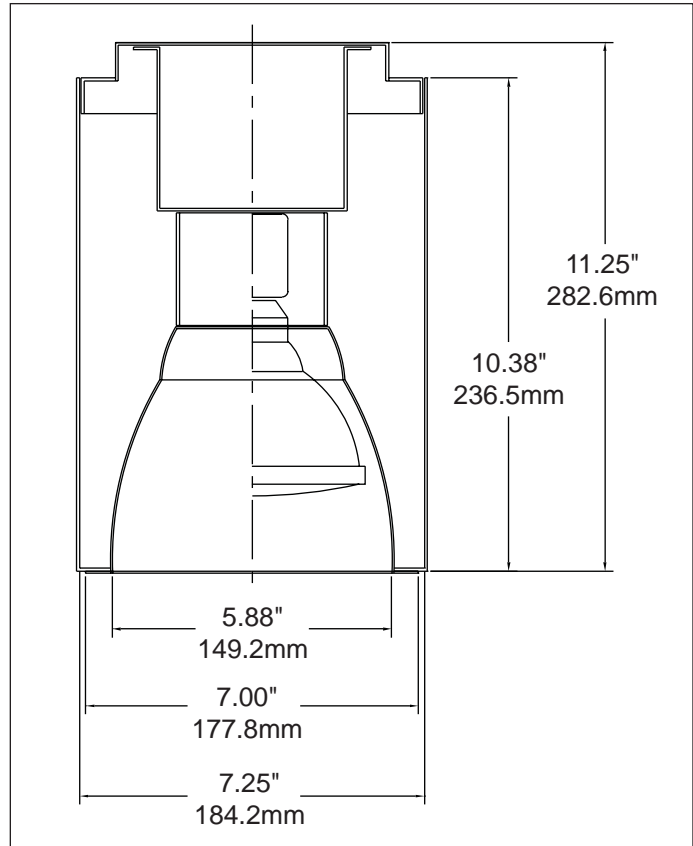
- B** - Powder Coat Black
- W** - Powder Coat White
- BR** - Powder Coat Bronze

Baffle Options:

- MB** - Black Micro Baffle
- WB** - White Micro Baffle
- BRB** - Bronze Micro Baffle

Electrical Options:

- 120** - 120 Volt Operation
- 277** - 277 Volt Operation
- GLR** - In Line Fusing



**PRODUCT SPECIFICATION DATA:**

Low iridescent specular Alzak® reflector.  
Open heavy gauge aluminum cylinder.  
Wall bracket: Heavy contoured one piece extruded aluminum, finished to match cylinder.  
Powder coated housings. Finish applied over pre-treated surfaces  
Pulse-rated porcelain socket.  
Factory wired for ease in installation.  
ETL/UL Listed / Suitable for damp location (for wet location consult factory).



SURFACE      PENDANT      WALL      CORD

**ORDERING INFORMATION**

<b>S</b>	<b>INP</b>	<b>6</b>	<b>50PAR30</b>	<b>CL</b>	<b>-</b>	<b>-</b>	<b>120</b>
MOUNTING	LIGHT SOURCE	APERTURE	LAMP	REFLECTOR	HOUSING	BAFFLE	ELECTRICAL
S P W C	INCANDESCENT PAR LAMP		50PAR30 75PAR30 90PAR38 150PAR38	CL GA CA WA SA PA GM UA HZ PW PB	B W BR	MB WB BRB	120 277 GLR



a division of PMC Lighting Inc

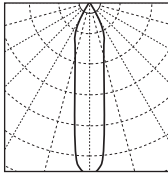
# 6" APERTURE

INCANDESCENT PAR30 / PAR38 LAMPS  
WALL, SURFACE OR PENDANT  
DOWNLIGHT

## PHOTOMETRICS

**CANDELLA**  
VERT° AT 0°

90	0
85	0
80	0
75	0
70	0
65	0
60	0
55	0
50	1
45	2
40	4
35	15
30	66
25	280
20	665
15	1913
10	4625
5	9147
0	14702



**FOOTLAMBERTS**

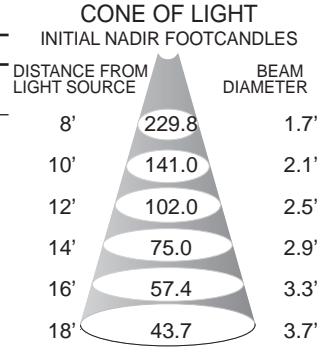
90°-85°	0
80°-75°	0
70°-65°	0
60°-55°	0
50°-45°	42

**Efficiency:**  
**86.4%**  
**S/MH Ratio: .240**

**Model No. S-INP-6-90PAR38SP-CL-120**

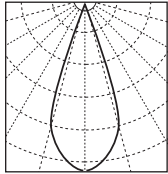
Coefficients of Utilization-Zonal Cavity

	80%			70%			50%		
	R	C	U	R	C	U	R	C	U
1	1.00	.99	.98	.98	.97	.96	.94	.93	.92
2	.97	.95	.93	.96	.93	.91	.91	.89	.88
3	.95	.92	.89	.94	.91	.88	.89	.87	.85
4	.93	.89	.86	.92	.88	.86	.87	.84	.83
5	.91	.87	.84	.90	.86	.83	.85	.82	.81
6	.89	.85	.82	.88	.84	.82	.83	.81	.79
7	.87	.83	.80	.87	.83	.80	.82	.79	.78
8	.86	.81	.79	.85	.81	.78	.80	.78	.76
9	.84	.80	.77	.83	.79	.77	.79	.76	.75
10	.82	.78	.75	.82	.77	.75	.77	.75	.73



**CANDELLA**  
VERT° AT 0°

90	0
85	0
80	0
75	0
70	0
65	0
60	0
55	0
50	1
45	7
40	22
35	112
30	438
25	1456
20	3389
15	4200
10	4659
5	4805
0	4805



**FOOTLAMBERTS**

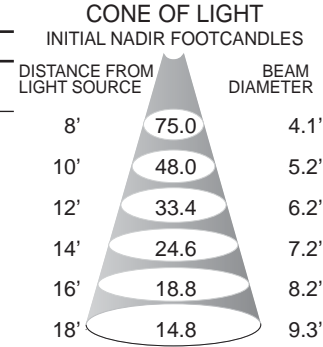
90°-85°	0
80°-75°	0
70°-65°	0
60°-55°	0
50°-45°	29

**Efficiency:**  
**90.2%**  
**S/MH Ratio: .603**

**Model No. S-INP-6-90PAR38FL-CL-120**

Coefficients of Utilization-Zonal Cavity

	80%			70%			50%		
	R	C	U	R	C	U	R	C	U
1	1.04	1.03	1.01	1.02	1.01	.99	.97	.96	.95
2	1.00	.97	.95	.99	.96	.93	.93	.91	.89
3	.98	.94	.90	.96	.92	.90	.90	.88	.86
4	.94	.90	.86	.93	.89	.86	.87	.84	.82
5	.92	.86	.83	.90	.86	.82	.84	.81	.79
6	.89	.84	.80	.88	.83	.80	.82	.79	.77
7	.87	.81	.78	.86	.81	.77	.80	.77	.74
8	.84	.79	.75	.83	.78	.75	.77	.74	.72
9	.82	.76	.72	.81	.76	.72	.75	.72	.70
10	.79	.73	.69	.78	.73	.69	.72	.69	.67



**Reflector Conversion Factors:**

Straw .97	Pewter .86
Champagne .96	Umber .83
Gold .93	Gun Metal .75
Wheat .88	Micro Baffle .60



a division of PMC Lighting Inc