

# 6" APERTURE

## INCANDESCENT A19 LAMPS

### WALL, SURFACE OR PENDANT DOWNLIGHT

**OPTIONS:**

**Installation Options:**

- W** - Wall Mounted
- S** - Surface Mounted
- P** - Pendant Mounted

**Lamp Options:**

**150A19** - 150 Watt A19 (Medium Base) Maximum Wattage

**Reflector Options:**

- CL** - Clear Anodized (standard)
- GA** - Gold Anodized
- CA** - Champagne Anodized
- WA** - Wheat Anodized
- SA** - Straw Anodized
- PA** - Pewter Anodized
- GM** - Gun Metal Anodized
- UA** - Umber Anodized
- HZ** - Haze Anodized
- PW** - Painted White
- PB** - Painted Black

**Lens Options:**

- CGS** - Clear Glass Shield (100 Watt Max.)
- C73** - Corning Pattern 73 (100 Watt Max.)

For others consult factory

**Housing Finish:**

- B** - Powder Coat Black
- W** - Powder Coat White
- BR** - Powder Coat Bronze

**Baffle Options:**

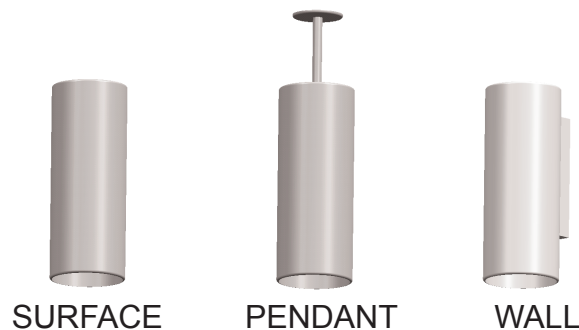
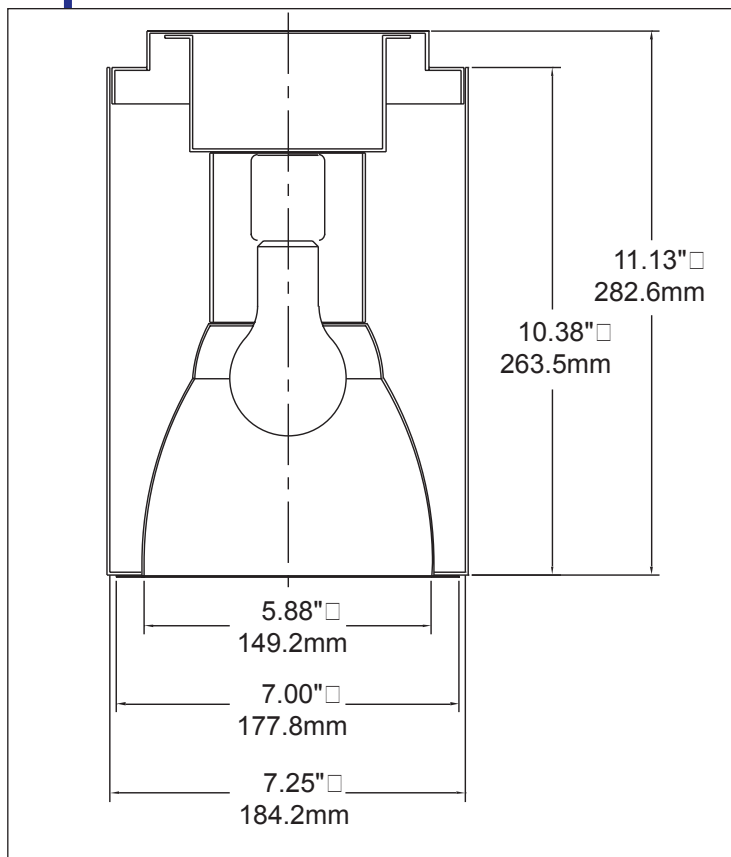
- MB** - Black Micro Baffle
- WB** - White Micro Baffle
- BRB** - Bronze Micro Baffle

**Electrical Options:**

- 120** - 120 Volt Operation
- 277** - 277 Volt Operation
- GLR** - In Line Fusing

**PRODUCT SPECIFICATION DATA:**

Low iridescent specular Alzak® reflector.  
 Open heavy gauge aluminum cylinder.  
 Wall bracket: Heavy contoured one piece extruded aluminum finished to match cylinder.  
 Powder coated housings. Finish applied over pre-treated surfaces  
 Pulse-rated porcelain socket.  
 Factory wired for ease in installation.  
 ETL/CSA Listed / Suitable for damp location (for wet location consult factory).



**ORDERING INFORMATION**

S		IN		6		100A19		CL		-		-		-		120		
MOUNTING	LIGHT SOURCE	APERTURE	LAMP	REFLECTOR	LENS	HOUSING	BAFFLE	ELECTRICAL										
W			60A19	CL	CGS	B	MB	120										
S			100A19	GA	C73	W	WB	277										
P			150A19	CA		BR	BRB	GLR										
									INCANDESCENT	SA	PA	GM	UA	HZ	PW	PB		



a division of PMC Lighting Inc

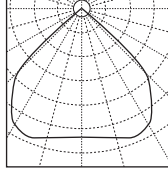
# 6" APERTURE

INCANDESCENT A19 LAMPS  
WALL, SURFACE OR PENDANT  
DOWNLIGHT

## PHOTOMETRICS

**CANDELLA**  
VERT° AT 0°

90	0
85	0
80	0
75	0
70	1
65	1
60	4
55	7
50	90
45	172
40	613
35	1054
30	1260
25	1465
20	1475
15	1484
10	1446
5	1408
0	1369



**FOOTLAMBERTS**

90°-85°	0
80°-75°	0
70°-65°	38
60°-55°	195
50°-45°	3892

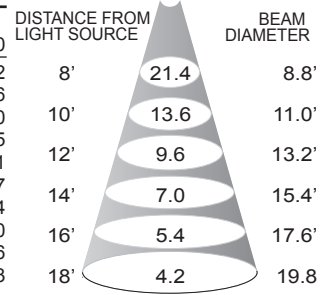
**Efficiency: 70.7%**  
**S/MH Ratio: 1.289**

### Model No. S-IN-6-150A19-CL-120

Coefficients of Utilization-Zonal Cavity

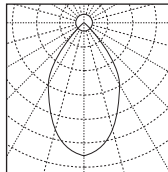
	80%			70%			50%		
	R	C	U	R	C	U	R	C	U
1	.80	.78	.77	.79	.77	.75	.74	.70	.72
2	.76	.73	.70	.75	.72	.69	.70	.66	.66
3	.72	.68	.64	.71	.67	.64	.65	.61	.60
4	.69	.63	.59	.67	.62	.59	.61	.57	.55
5	.65	.59	.55	.64	.58	.54	.57	.53	.51
6	.61	.55	.51	.60	.55	.50	.53	.49	.47
7	.58	.51	.47	.57	.51	.47	.50	.46	.44
8	.54	.47	.43	.54	.47	.43	.46	.42	.40
9	.51	.44	.39	.50	.43	.39	.43	.38	.36
10	.48	.40	.36	.47	.40	.36	.39	.33	.33

### CONE OF LIGHT INITIAL NADIR FOOTCANDLES



**CANDELLA**  
VERT° AT 0°

90	0
85	0
80	0
75	0
70	0
65	1
60	1
55	2
50	18
45	34
40	244
35	454
30	657
25	859
20	959
15	1058
10	1158
5	1257
0	1337



**FOOTLAMBERTS**

90°-85°	0
80°-75°	0
70°-65°	0
60°-55°	66
50°-45°	916

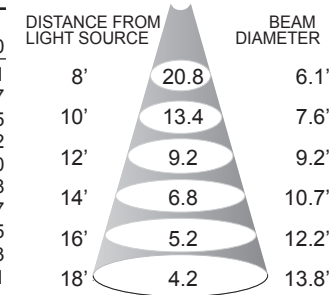
**Efficiency: 39.7%**  
**S/MH Ratio: 1.289**

### Model No. S-IN-6-150A19-MB-CL-120

Coefficients of Utilization-Zonal Cavity

	80%			70%			50%		
	R	C	U	R	C	U	R	C	U
1	.45	.44	.43	.44	.43	.43	.42	.41	.41
2	.43	.41	.40	.42	.41	.39	.40	.38	.37
3	.41	.39	.37	.40	.38	.37	.37	.36	.35
4	.39	.36	.34	.39	.36	.34	.35	.34	.32
5	.37	.34	.32	.37	.34	.32	.33	.31	.30
6	.36	.32	.30	.35	.32	.30	.31	.30	.28
7	.34	.31	.28	.33	.30	.28	.30	.28	.27
8	.32	.29	.26	.32	.28	.26	.28	.26	.25
9	.30	.27	.24	.30	.26	.24	.26	.24	.23
10	.29	.25	.23	.28	.25	.23	.24	.22	.21

### CONE OF LIGHT INITIAL NADIR FOOTCANDLES



**Reflector Conversion Factors:**

Straw .97	Pewter .86
Champagne .96	Umber .83
Gold .93	Gun Metal .75
Wheat .88	Micro Baffle .60



a division of PMC Lighting Inc