

**OPTIONS:**

**Installation Options:**

- W** - Wall Mounted
- S** -Surface Mounted
- P** -Pendant Mounted

**Lamp Options:**

- 13QPL** - 13 Watt Quad Fluorescent (G24q1)
- 18PLT** - 18 Watt Triple Tube Fluorescent (G24q2)
- 26PLT** - 26 Watt Triple Tube Fluorescent (G24qx)
- 32PLT** - 32 Watt Triple Tube Fluorescent (G24qx)

**Reflector Options:**

- CL** - Clear Anodized (standard)
- GA** - Gold Anodized
- CA** - Champagne Anodized
- WA** - Wheat Anodized
- SA** - Straw Anodized
- PA** - Pewter Anodized
- GM** - Gun Metal Anodized
- UA** - Umber Anodized
- HZ** - Haze Anodized
- PW** - Painted White
- PB** - Painted Black

**Lens Options:**

- P12** -Prismatic Acrylic Lens
- C73** - Corning 73 Glass

**Housing Finish:**

- B** -Powder Coat Black
- W** - Powder Coat White
- BR** - Powder Coat Bronze

**Baffle Options:**

- MB** - Black Micro Baffle
- WB** - White Micro Baffle
- BRB** - Bronze Micro Baffle

**Electrical Options:**

- 120** - 120 Volt Operation
- 277** - 277 Volt Operation
- EM** - Emergency Battery Pack
- DIMH** - Dimming Ballast - 3 Wire Lutron Hi-Lume
- DIMG** - Dimming Ballast - 2 Wire Generic
- GLR** - In Line Fusing

**PRODUCT SPECIFICATION DATA:**

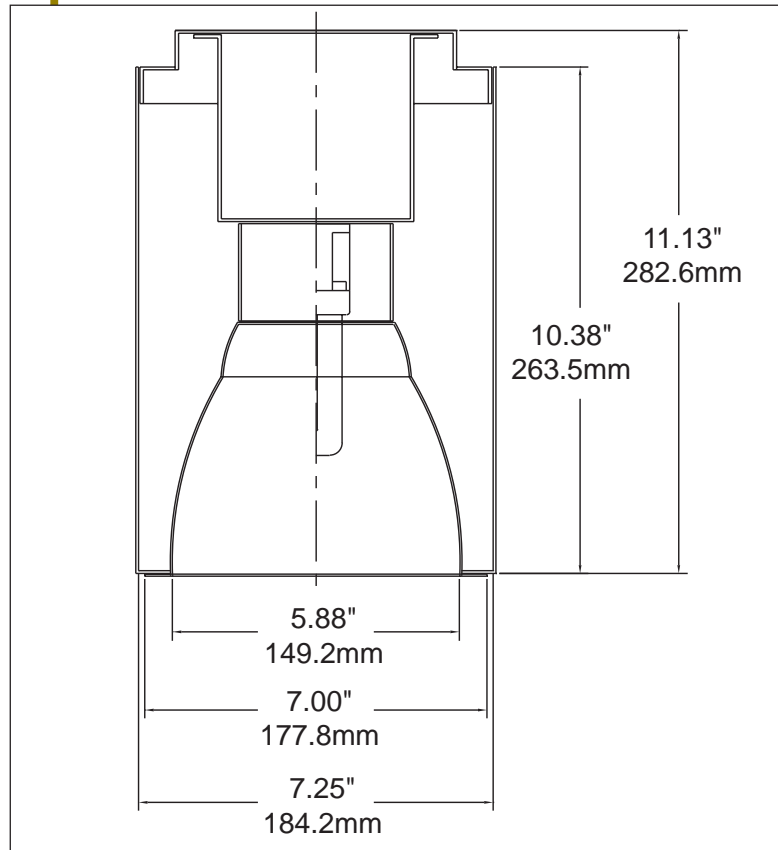
Low iridescent specular Alzak® reflector.  
 Open heavy gauge aluminum cylinder.  
 Wall bracket: Heavy contoured one piece extruded aluminum.  
 Wall box finished to match cylinder.  
 Powder coated housings. Finish applied over pre-treated surfaces  
 Factory wired for ease in installation.  
 Electronic Ballast Standard  
 UL Listed / Suitable for damp location (for wet location consult factory).

To assure optimum quality and performance in our product, PMC lighting is requiring the use of **Osram** *Sylvania*, **Ushio**, or **Phillips** brand lamps in out fixtures. Older square base lamps will not fit and may cause damage.

# 6" APERTURE

VERTICAL LAMPS  
 COMPACT FLUORESCENT  
 WALL, SURFACE OR PENDANT  
 MOUNTED DOWNLIGHT

SURFACE FLUORESCENT



SURFACE      PENDANT      WALL

## ORDERING INFORMATION

<b>S</b>	<b>FLV</b>	<b>6</b>	<b>32PLT</b>	<b>CL</b>	<b>-</b>	<b>-</b>	<b>-</b>	<b>120</b>
MOUNTING	LIGHT SOURCE	APERTURE	LAMP	REFLECTOR	LENS	HOUSING	BAFFLE	ELECTRICAL
W S P	FLUORESCENT VERTICAL	6	13QPL 18PLT 26PLT 32PLT	CL GA CA WA SA PA GM UA HZ PW PB	C73 P12	B W BR	MB WB BRB	120 277 EM DIMH DIMG GLR



a division of PMC Lighting Inc

100 Gilbane Street / Warwick, RI 02886 • 401.738.4963 FAX.401.738.0618

www.oceanstatelighting.com

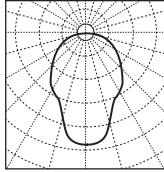
# 6" APERTURE

VERTICAL LAMPS  
COMPACT FLUORESCENT  
WALL, SURFACE OR PENDANT  
MOUNTED DOWNLIGHT

## PHOTOMETRICS

**CANDELLA**  
VERT° AT 0°

90	0
85	0
80	0
75	0
70	0
65	0
60	0
55	12
50	82
45	140
40	181
35	219
30	261
25	294
20	318
15	380
10	474
5	506
0	506



**FOOTLAMBERTS**

90°-85°	0
80°-75°	0
70°-65°	0
60°-55°	338
50°-45°	3176

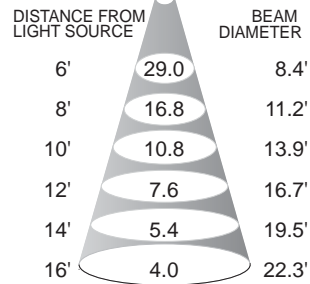
**Efficiency: 61.0%**  
**S/MH Ratio: 0.777**

**Model No. S-FLV-6-13QPL-CL-120-EB**

Coefficients of Utilization-Zonal Cavity

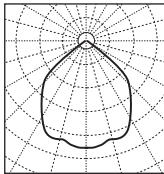
	80%			70%			50%		
	R	C	U	R	C	U	R	C	U
1	.69	.67	.66	.68	.66	.65	.64	.63	.61
2	.66	.63	.60	.64	.61	.59	.60	.58	.56
3	.62	.58	.55	.61	.57	.54	.56	.53	.51
4	.59	.54	.50	.57	.53	.50	.52	.49	.47
5	.55	.50	.46	.54	.49	.45	.48	.45	.42
6	.52	.46	.42	.51	.46	.42	.45	.41	.39
7	.49	.43	.39	.48	.42	.38	.41	.38	.36
8	.45	.39	.35	.45	.39	.35	.38	.35	.32
9	.42	.36	.32	.42	.35	.32	.35	.31	.29
10	.40	.33	.29	.39	.33	.29	.32	.29	.26

**CONE OF LIGHT**  
INITIAL NADIR FOOTCANDLES



**CANDELLA**  
VERT° AT 0°

90	0
85	0
80	0
75	0
70	0
65	0
60	3
55	14
50	193
45	395
40	539
35	660
30	751
25	807
20	817
15	842
10	880
5	835
0	806



**FOOTLAMBERTS**

90°-85°	0
80°-75°	0
70°-65°	0
60°-55°	391
50°-45°	8939

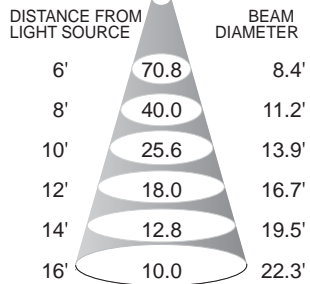
**Efficiency: 56.7%**  
**S/MH Ratio: 1.318**

**Model No. S-FLV-6-32PLT-CL-120-EB**

Coefficients of Utilization-Zonal Cavity

	80%			70%			50%		
	R	C	U	R	C	U	R	C	U
1	.64	.62	.61	.63	.61	.60	.59	.58	.57
2	.61	.58	.55	.59	.57	.55	.55	.53	.52
3	.57	.53	.50	.56	.53	.50	.51	.49	.47
4	.54	.49	.46	.53	.49	.45	.47	.45	.42
5	.51	.45	.42	.50	.45	.41	.44	.41	.38
6	.48	.42	.38	.47	.41	.38	.41	.37	.35
7	.44	.38	.35	.44	.38	.34	.37	.34	.32
8	.41	.35	.31	.40	.35	.31	.34	.31	.28
9	.38	.32	.28	.37	.31	.28	.31	.27	.25
10	.35	.29	.25	.35	.29	.25	.28	.25	.22

**CONE OF LIGHT**  
INITIAL NADIR FOOTCANDLES



**Reflector Conversion Factors:**

Straw .97	Pewter .86
Champagne .96	Umber .83
Gold .93	Gun Metal .75
Wheat .88	Micro Baffle .60

**Lumen Correction Factors**

**1 to 1 ratio**

13 watt - 900 Lumens
18 watt - 1250 Lumens
26 watt - 1800 Lumens
32 watt - 2400 Lumens
42 watt - 3200 Lumens



a division of PMC Lighting Inc